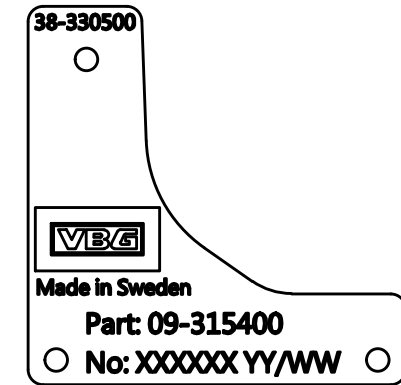
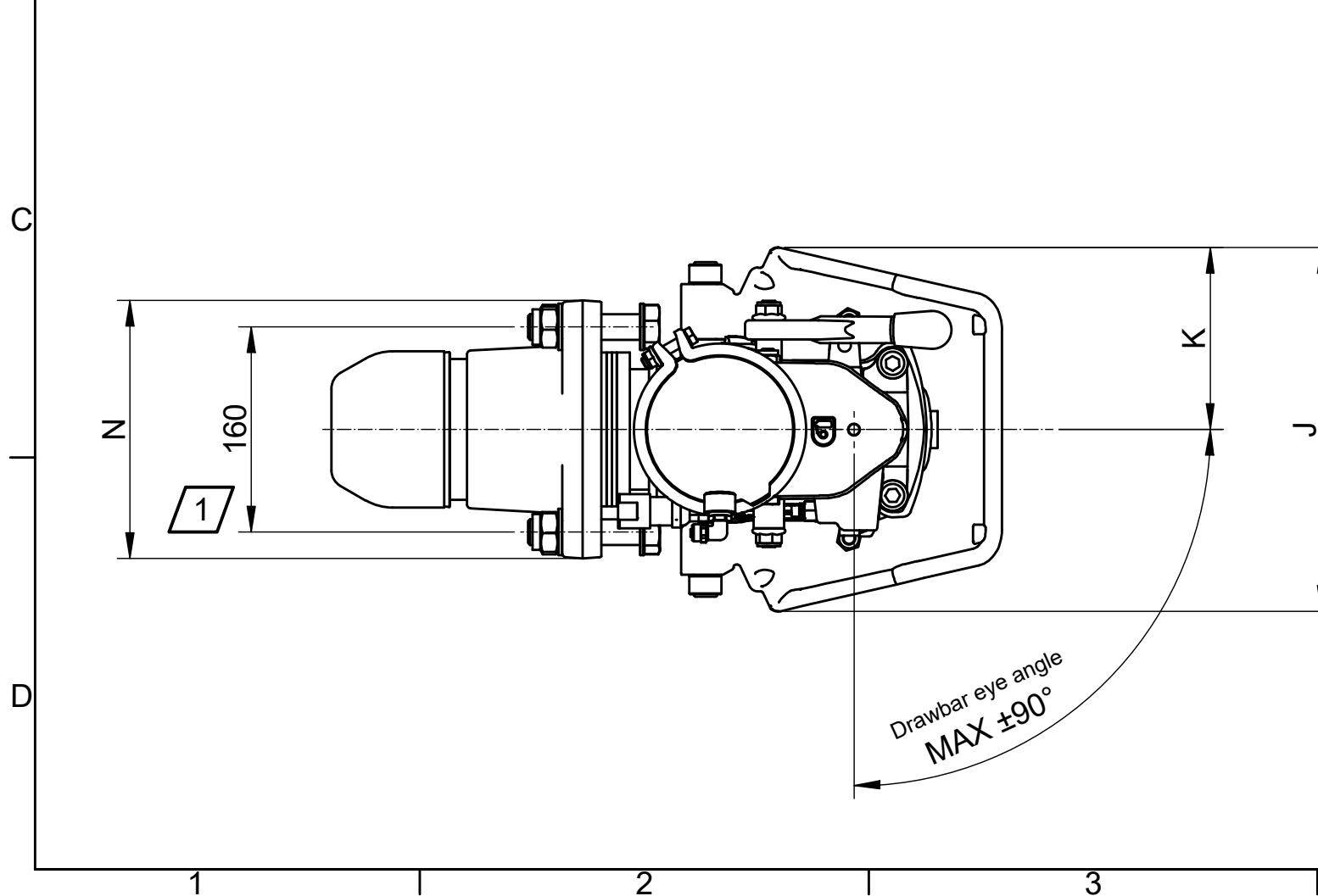
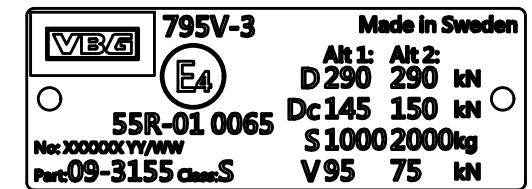


A, mechanism identification plate



B, identification plate



1 Mounting dimensions acc. to SS 550000-1 category 5 and ISO 3584 category 5-7

2 Coupling compatible with Ø57 drawbar eyes according to standard SS 550100-2

Dimensions acc to standard SS 550000-1 category 5 SS 550100-1 C57

Dimension	Actual measure
M	139
N	202
P	211
Q	312
R	102
S	289
T	16-30
J	284
K	142
L3	193

Measures for information only. Tolerance ±10mm.



**VBG GROUP**

Description  
VBG 795V-3 AM S/S

Modified Date	Modified by	Modification No.	Issue
2020-10-27	HB	13001	a
3D Model No.	09-315500		Engineer
			HB
Sheet Size	Scale	Projection	Drafting Date
A3	1:5		2020-10-27
Stage	Drawing No.		
P	09-315500 (F) INFO		
This drawing is the property of VBG Group AB and is protected in accordance with prevailing law. Changes must be made in CAD-program, this concerns both 2D & 3D.			