

A (1:1)

VBG Order No. 3000000004 CLASS F

TYPE E11

CMS-MFC 75V-3 55R-01

D Do S V 10663

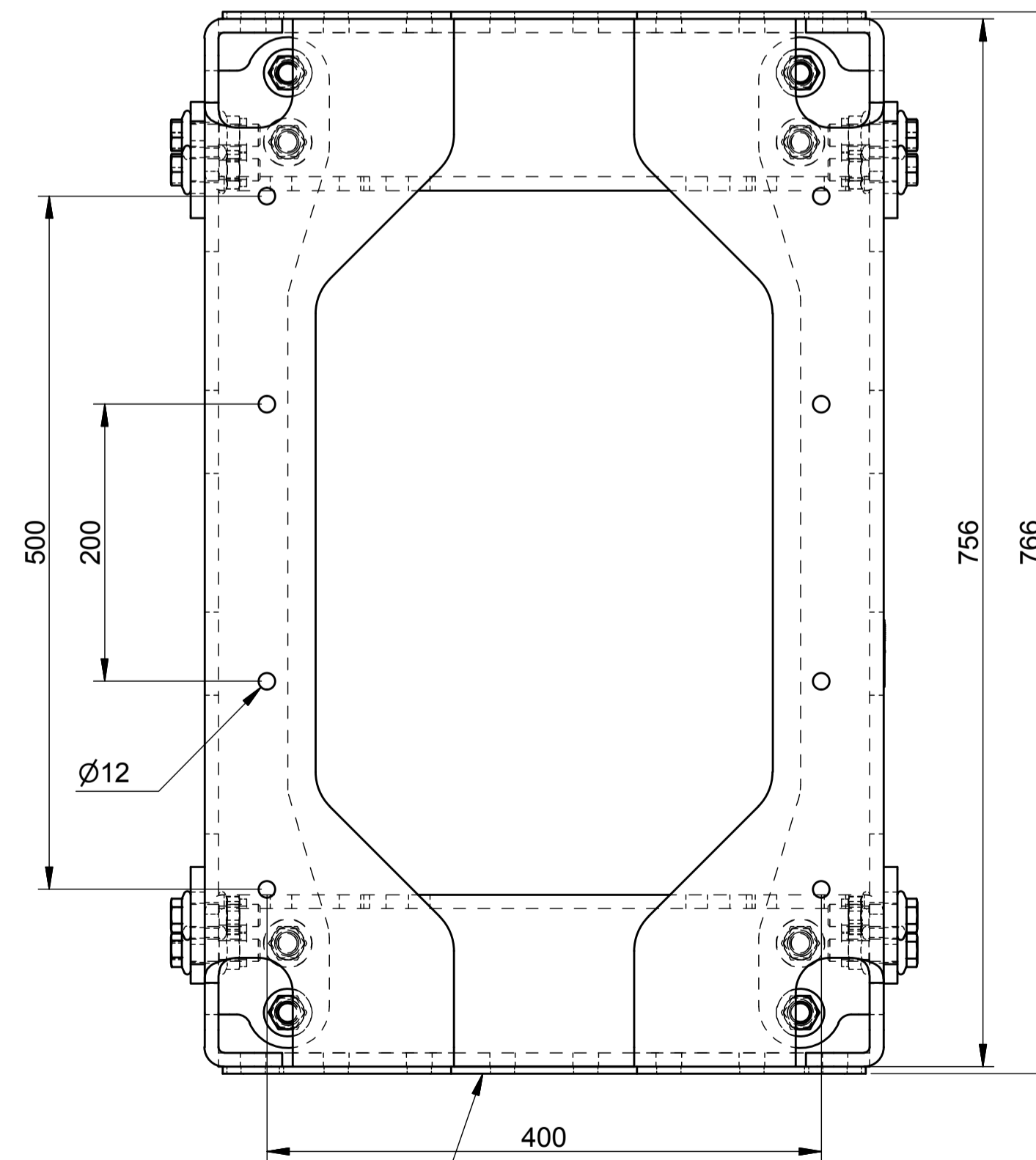
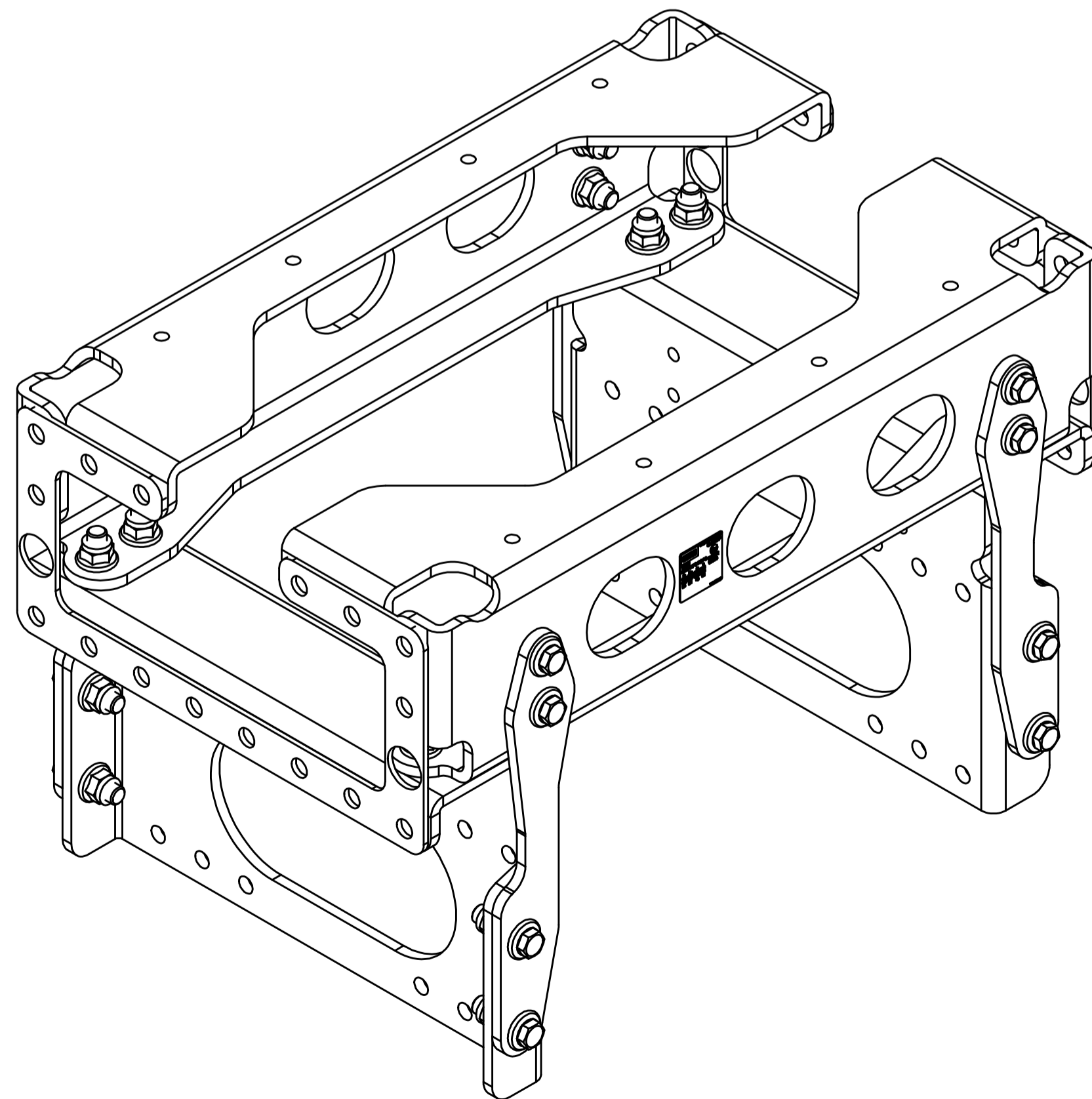
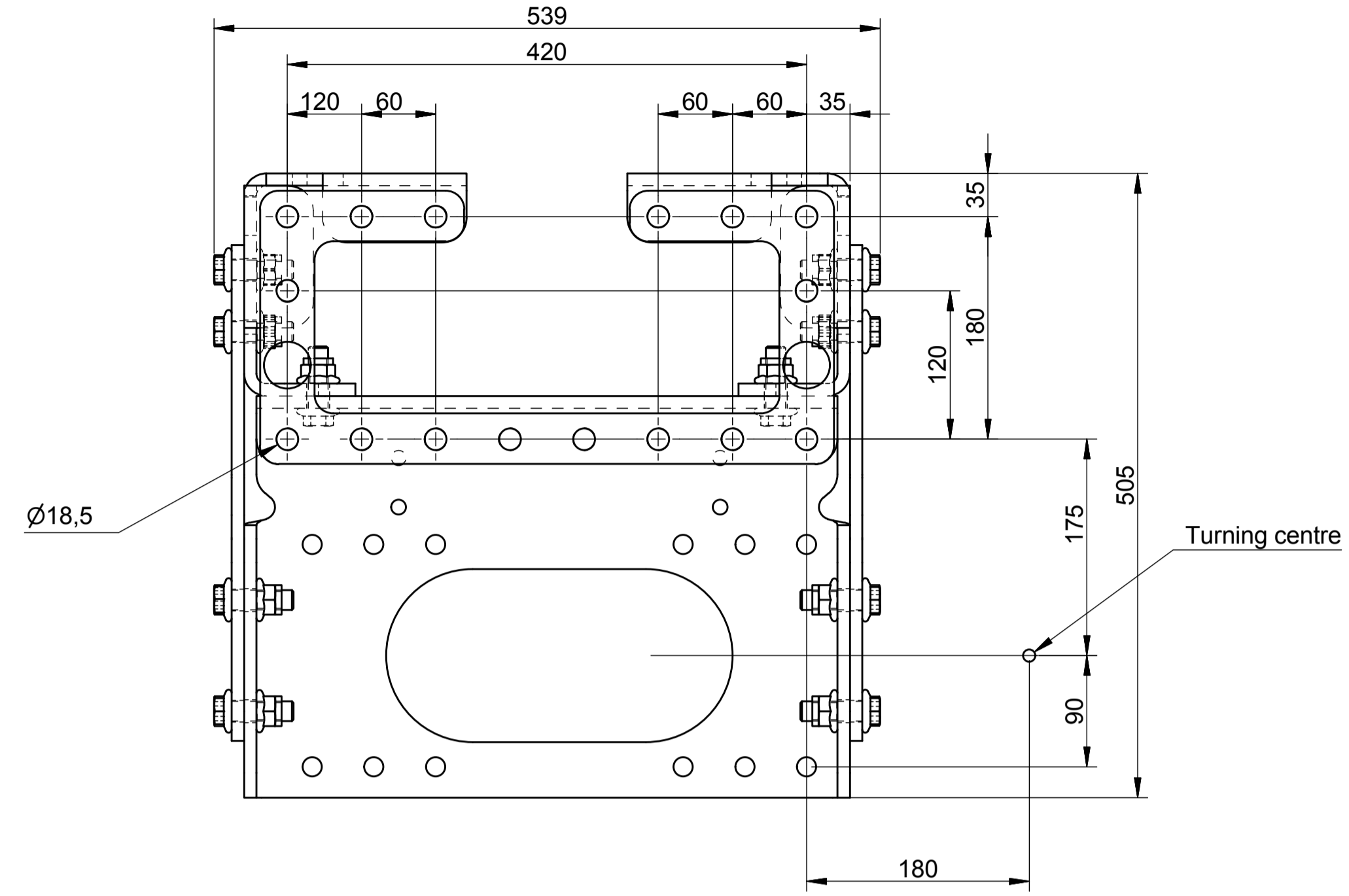
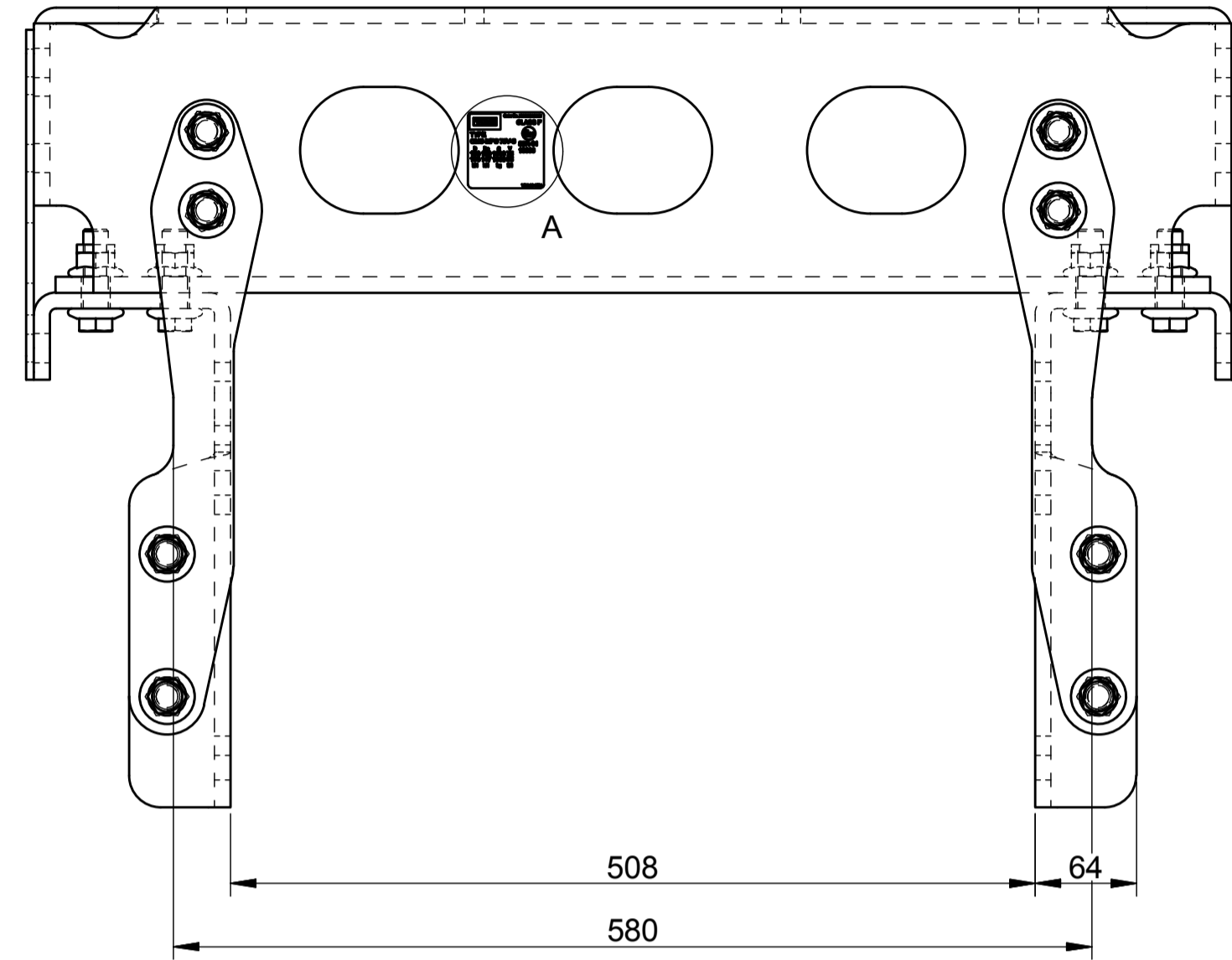
188 130 1000 75

188 147 1000 35

KN KN kg KN

199 21-6004

ID-marking



Spacers, transport mounted with removable plastic plugs

VBG GROUP		Modified Date	Modified by	Modification No.	Issue
		2017-05-12	SJ	12453	a
		3D Model No.	Engineer	Checked by	
		21-600400	SJ	SJ	
		Sheet No.	Scale	Production	Drawing Date
		A1	1:4	2016-05-09	SJ
		Stage	Drawing No.		
		P	21-600400 (F) INFO		
<small>This drawing is the property of VBG Group AB and is protected in accordance with prevailing law. Changes must be made in CAD program; this concerns both 2D & 3D.</small>					