
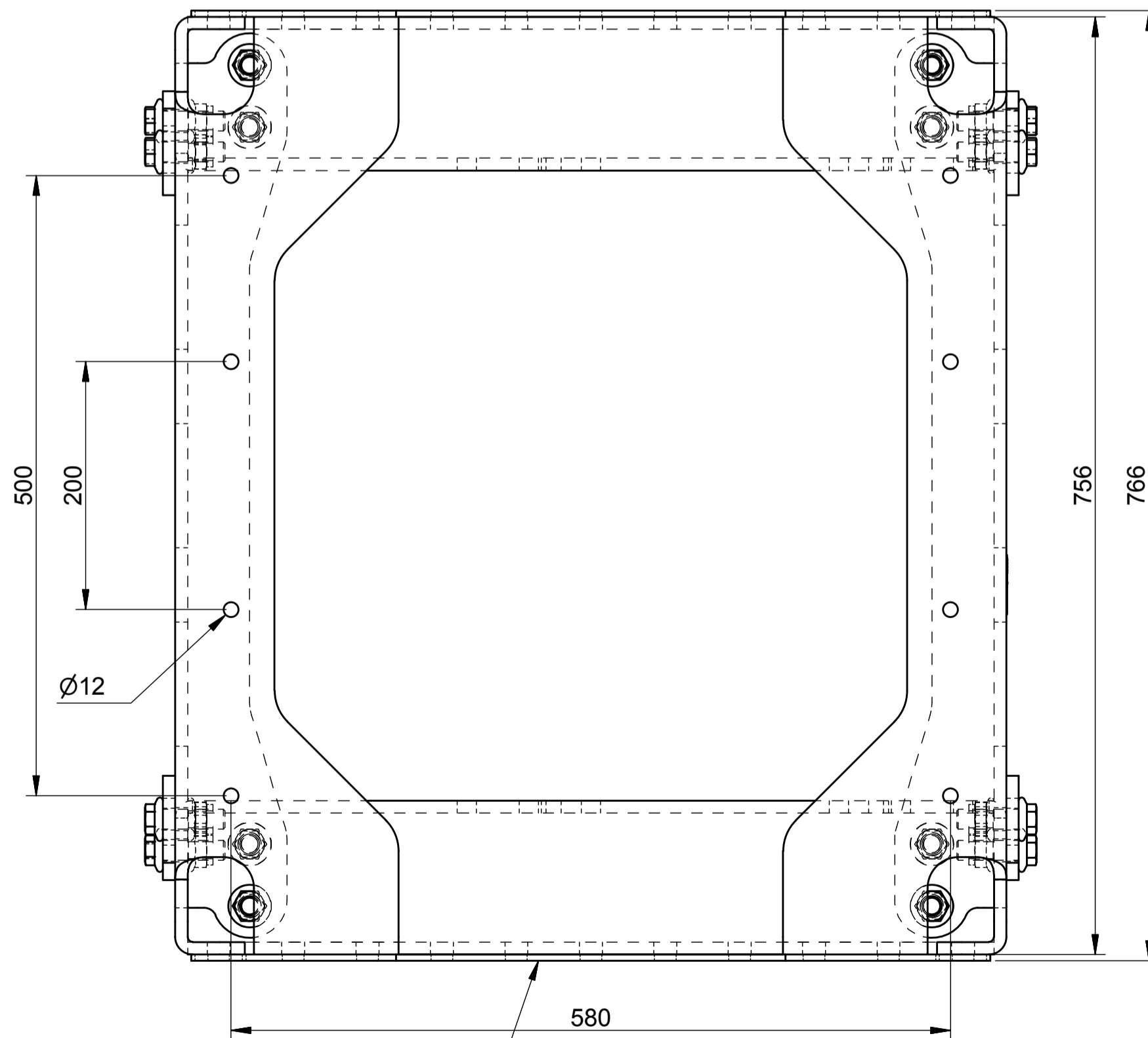
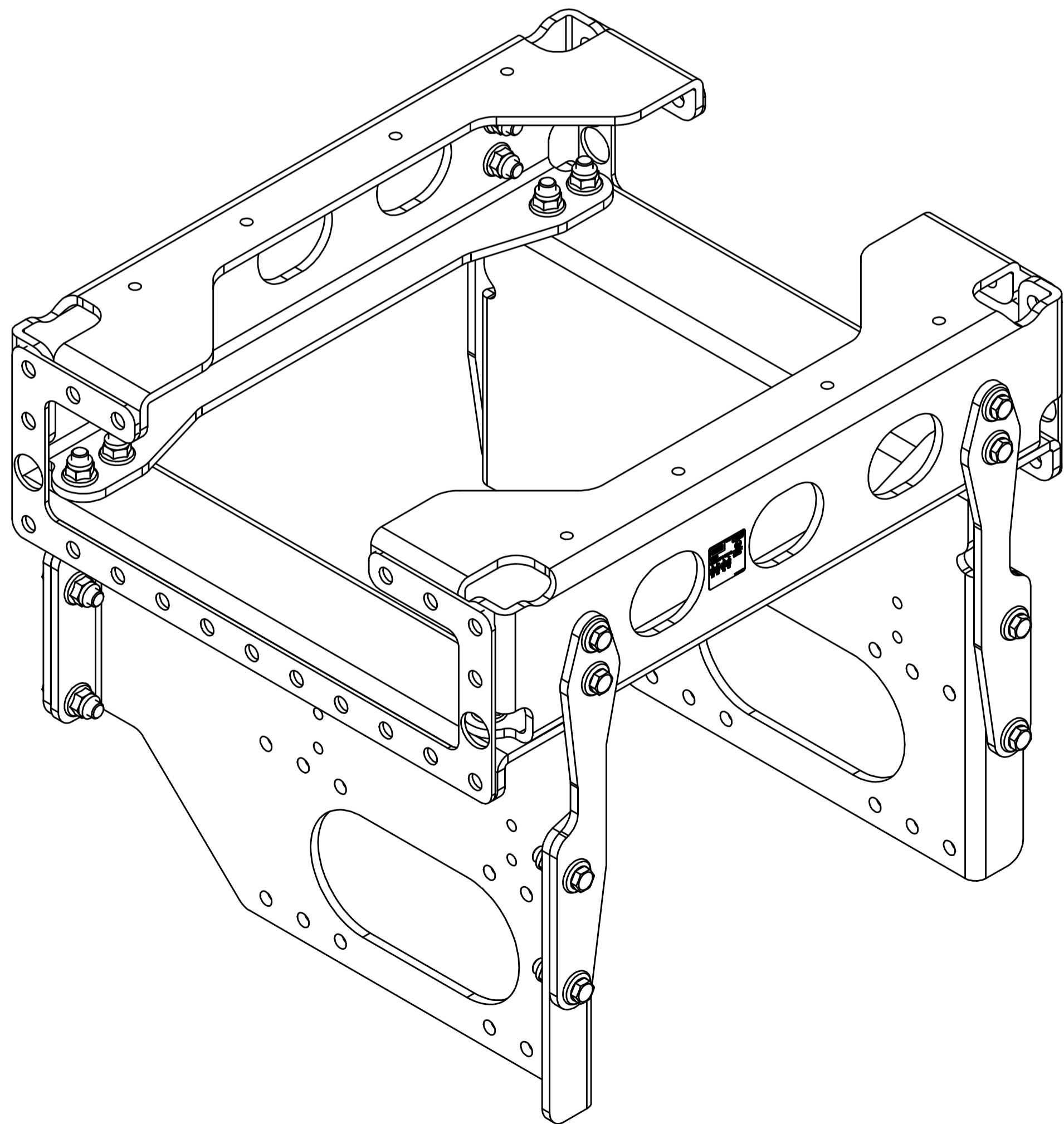
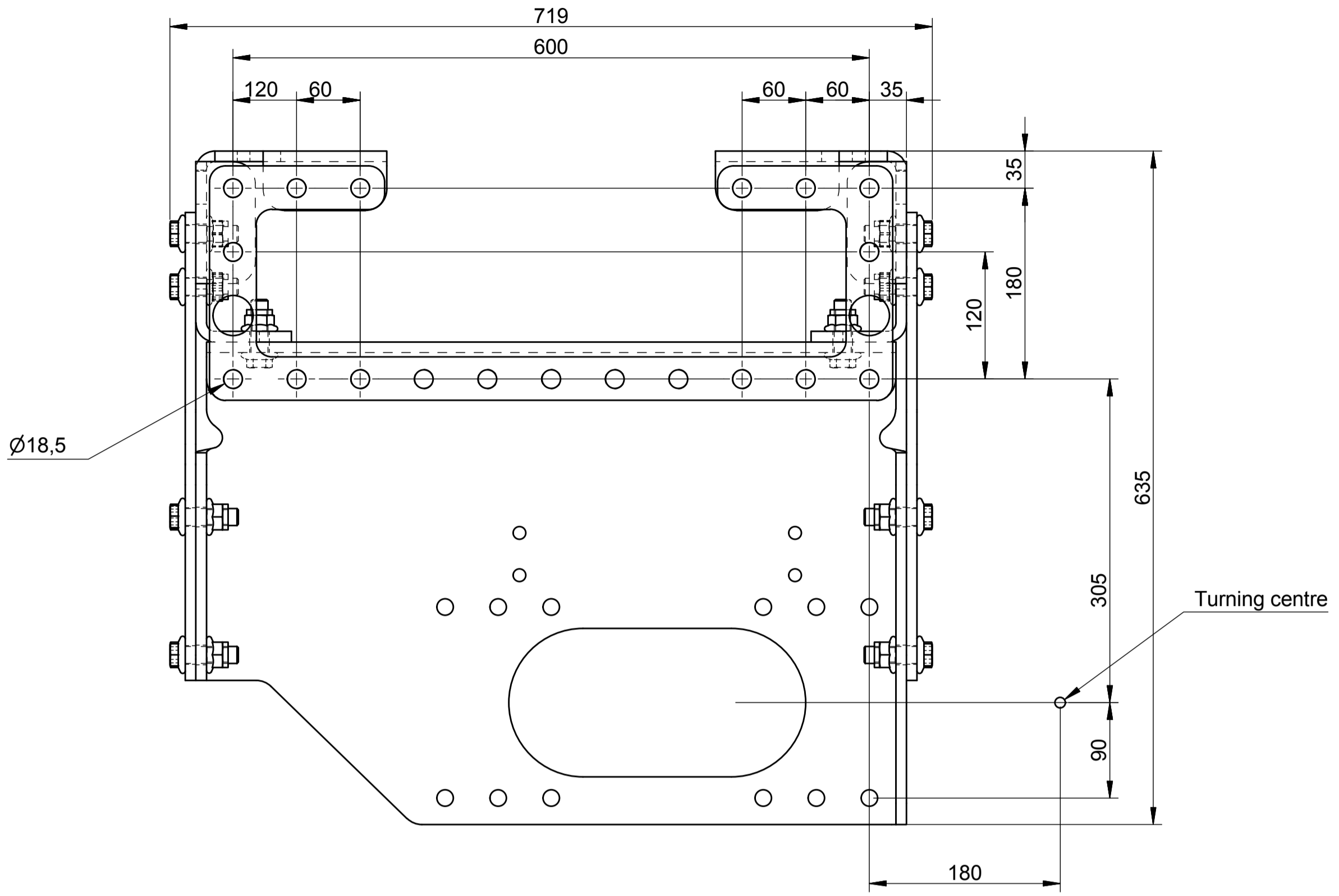
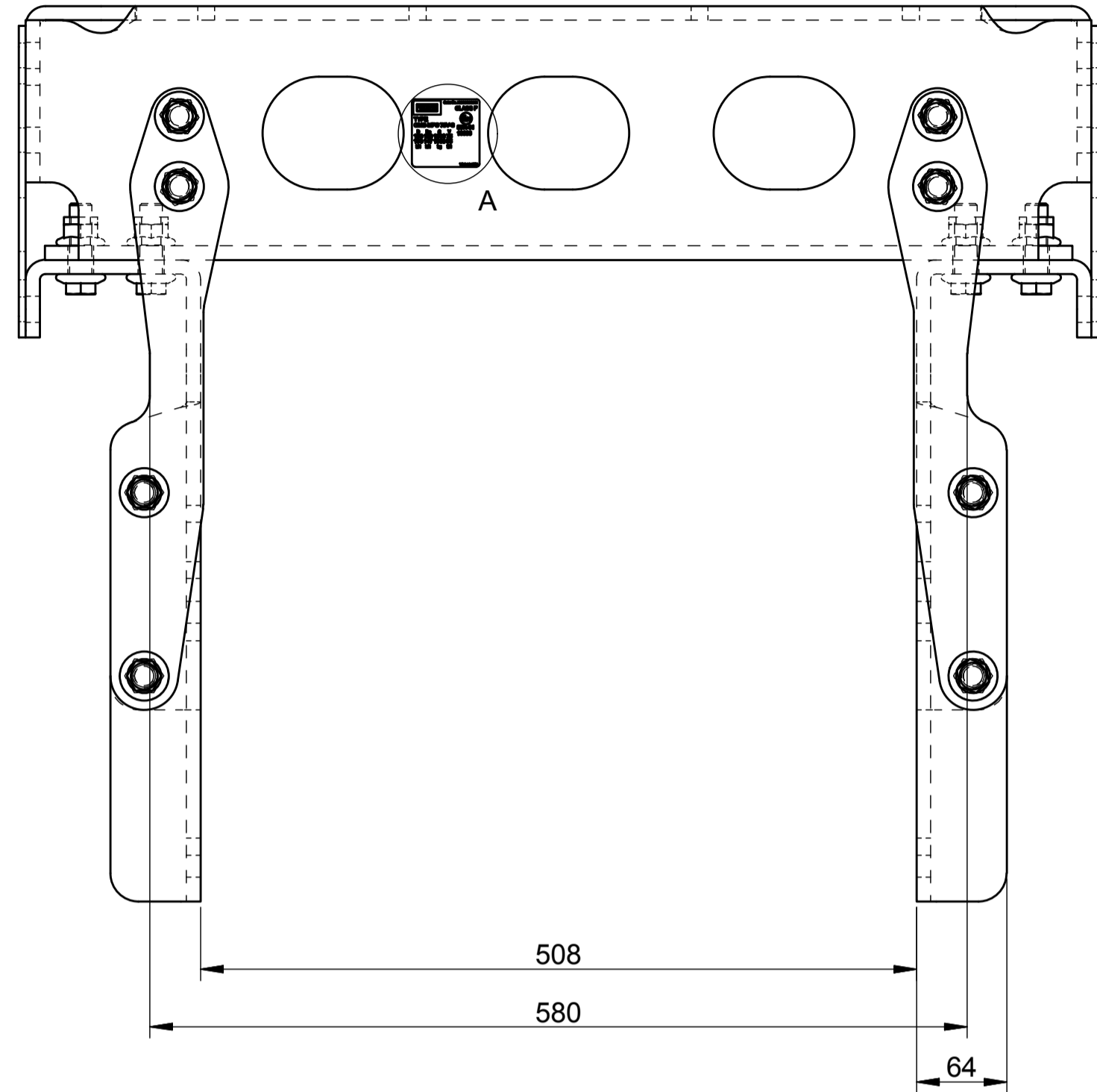


1 2 3 4 5 6 7 8 9 10 11 12

A (1:1)


CLASS F
 TYPE
 CMS-MFC 75V-3 55R-01
 D Dc S V 188 130 1000 75 10663
 kN kN kg kN
 VBG 21-6005

ID-marking



Spacers, transport mounted with removable plastic plugs

VBG GROUP		Modified Date 2017-05-12	Modified by SJ	Modification No. 12453	Issue a
Description CMS-MFC 75V-3, DAF (600/305/756)		3D Model No. 21-600500	Engineer SJ	Checked by SJ	Drawn by SJ
Sheet No. A1	Total 1 : 4	Revision P	Drawing Date 2016-05-09	Info 21-600500 (F) INFO	
<small>This drawing is the property of VBG Group AB and is protected in accordance with prevailing law. Changes must be made in CAD program, this concerns both 2D & 3D.</small>					

1 2 3 4 5 6 7 8 9 10 11 12