

1 2 3 4 5 6 7 8 9 10 11 12

A (1:1)

VBG Order No. 3000000000 CLASS F

TYPE E11

CMS-MFC 75V-3 55R-01

D Do S V 10663

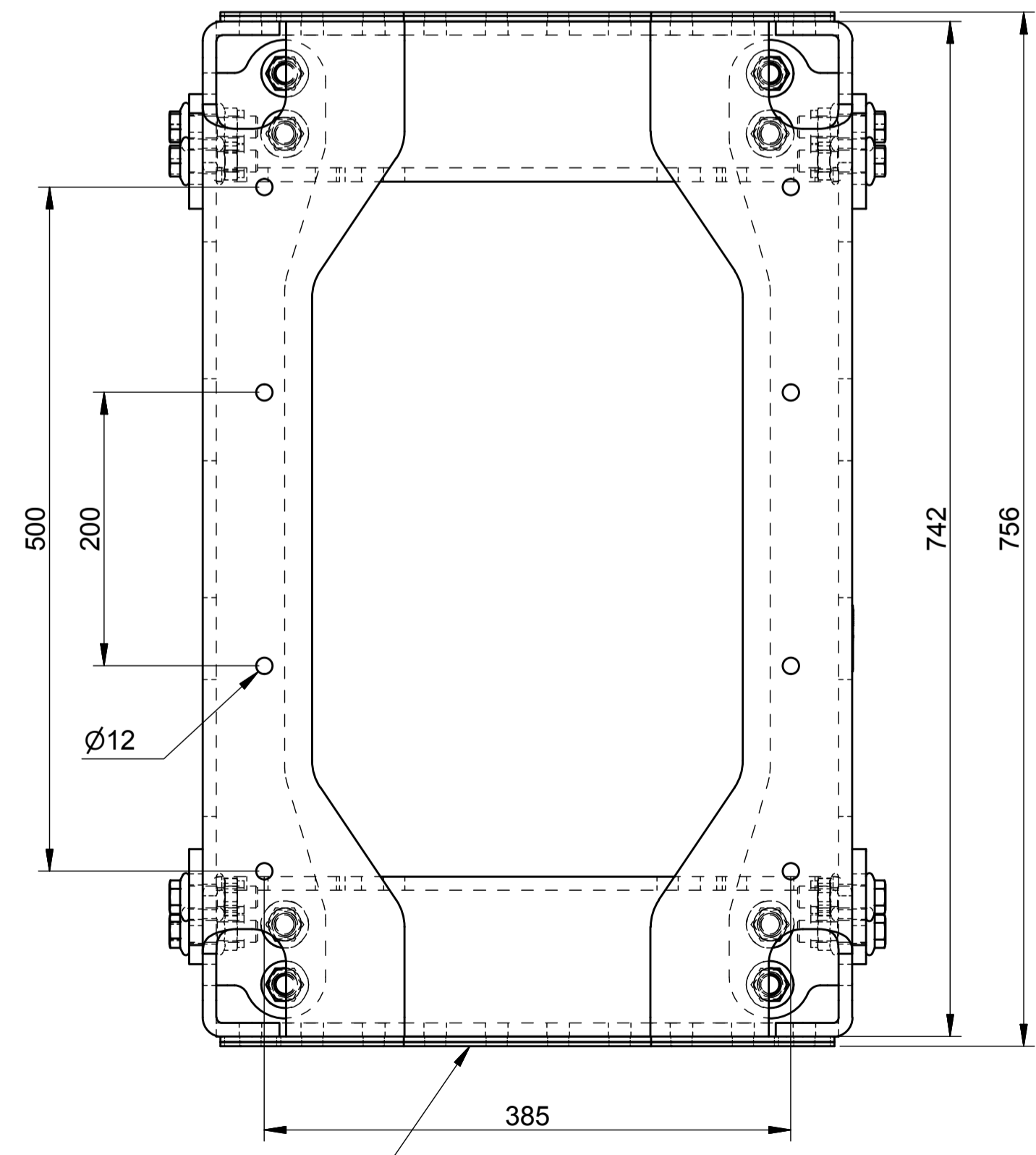
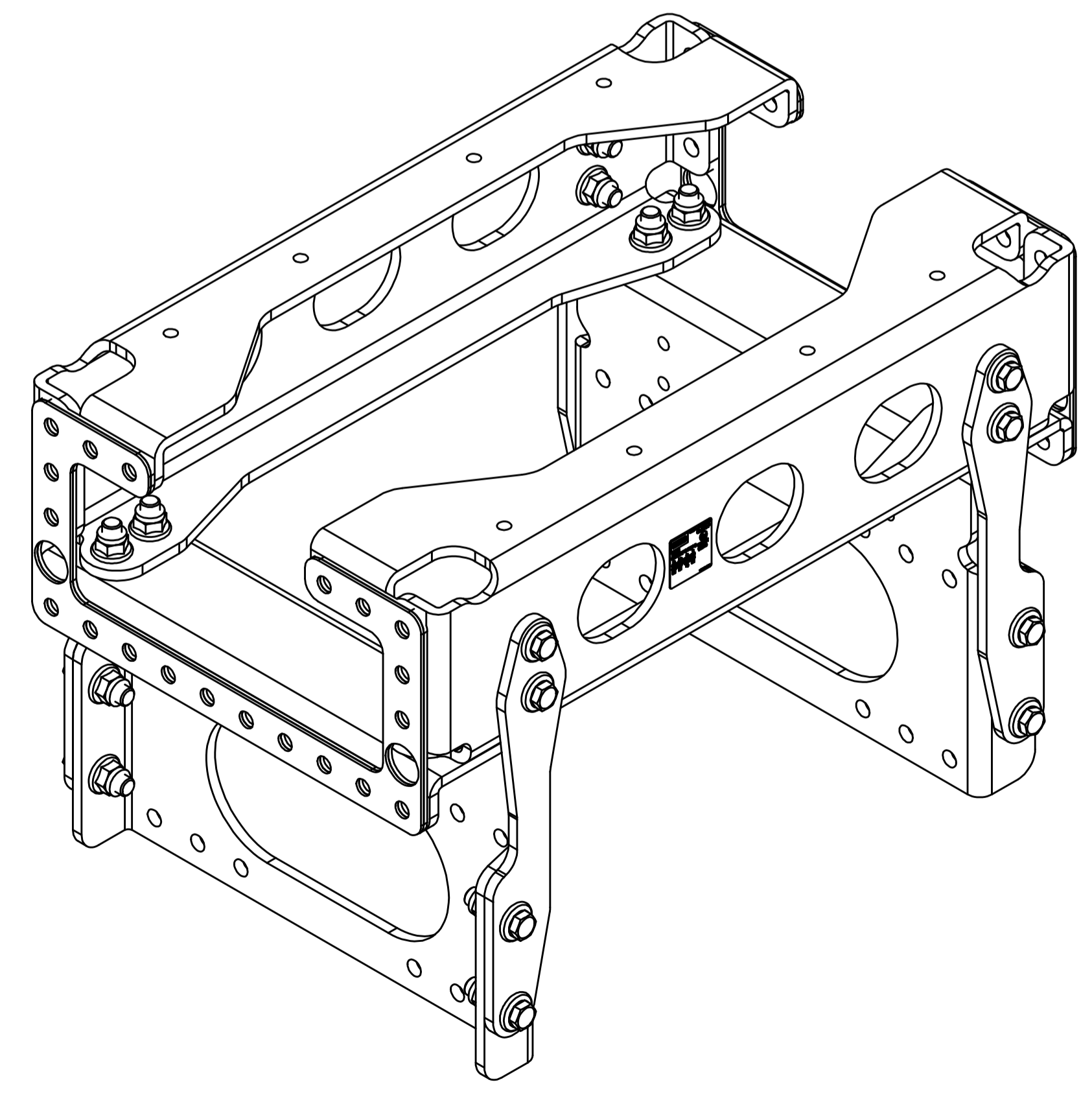
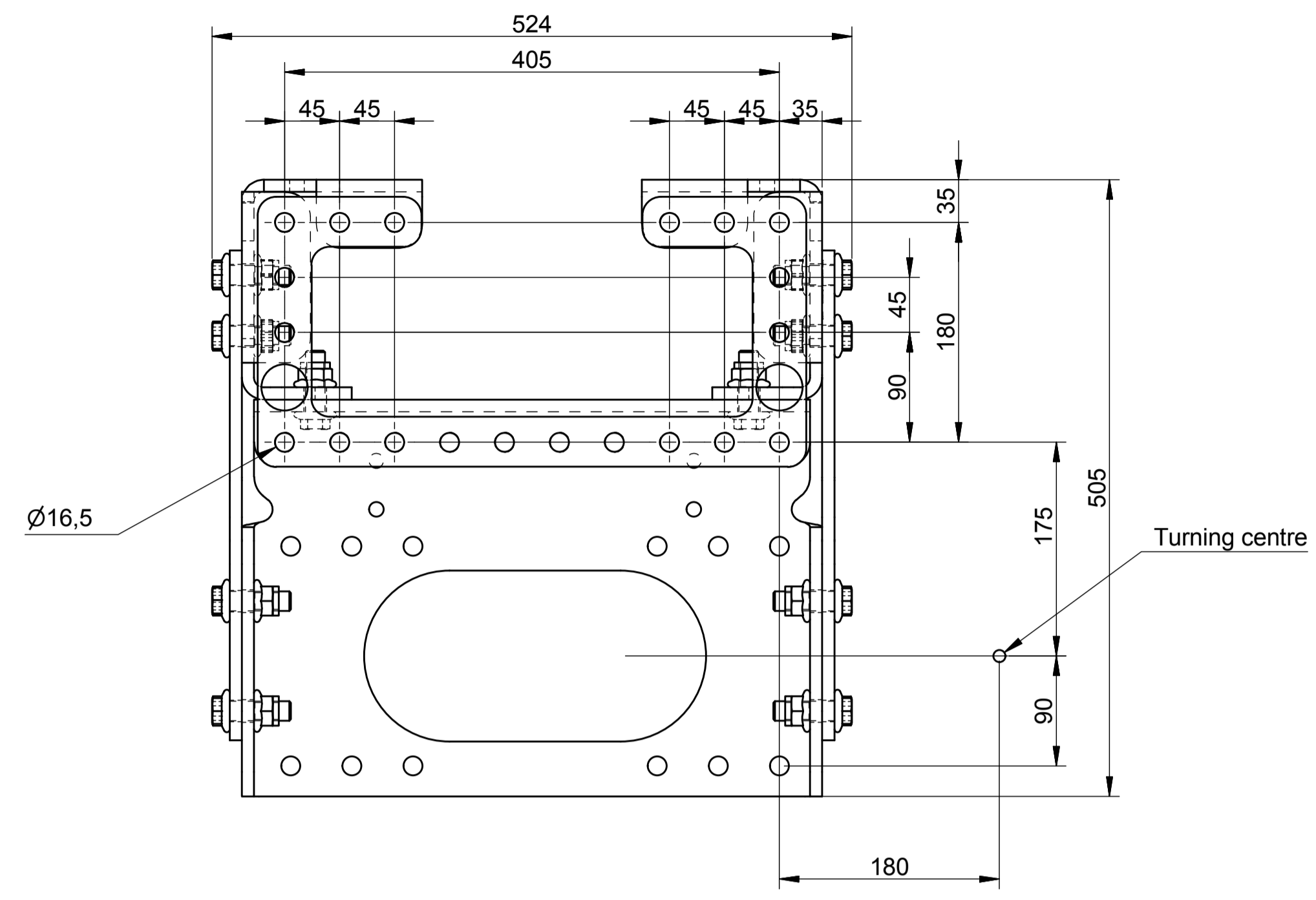
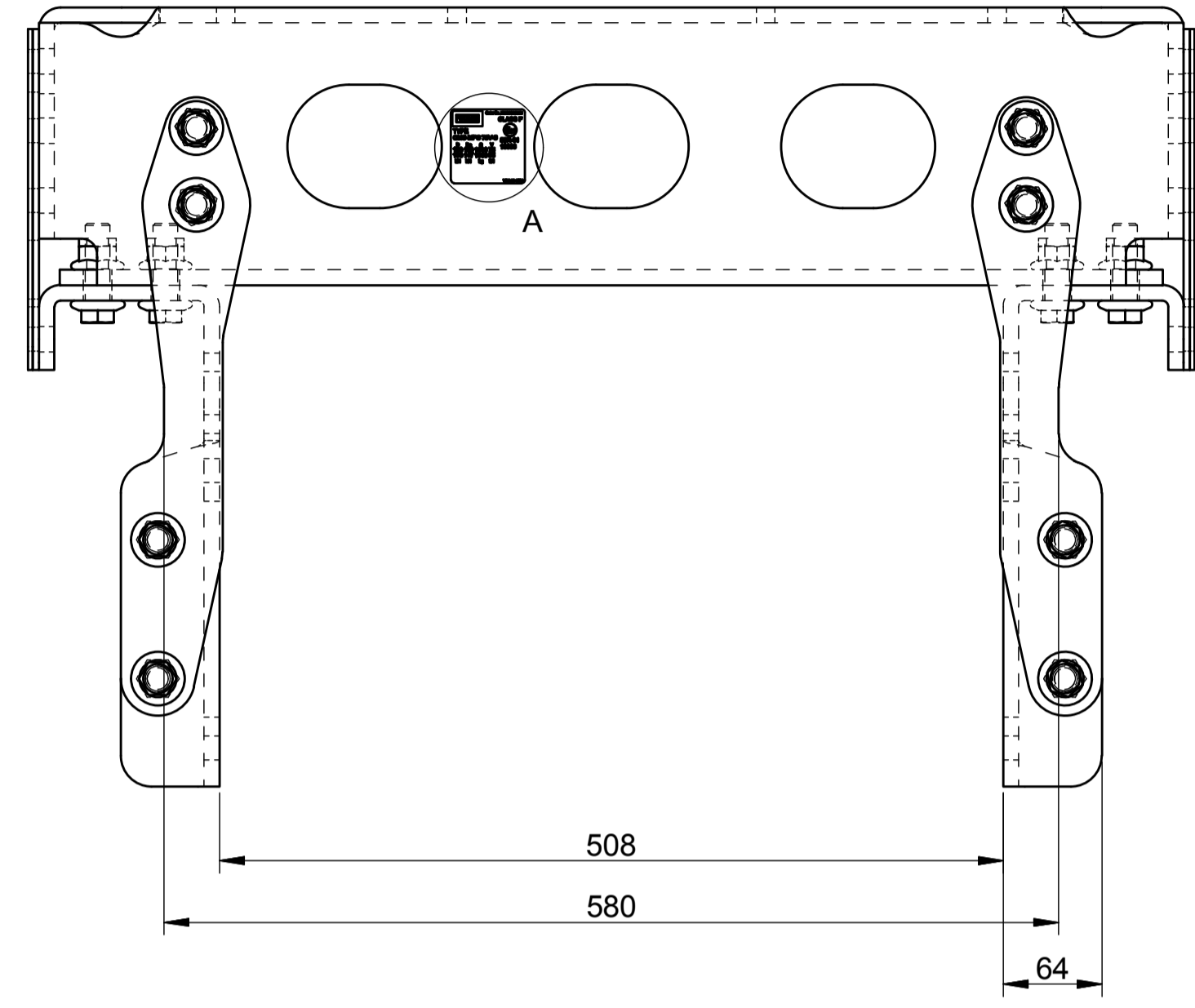
188 130 1000 75

188 147 1000 35

KN KN kg KN

ISO 21-6000

ID-marking



Spacers, transport mounted with removable plastic plugs

VBG GROUP		Modified Date	Modified by	Modification No.	Issue
Description		2017-05-12	SJ	12453	a
CMS-MFC 75V-3,		3D Model No.	Engineer	Checked by	
Iveco (405/175/742)		21-600600	SJ		
Sheet	Scale	Revision	Drawing Date	Drawn by	
A1	1:4	1	2016-05-09	SJ	
Stage	Drawing No.				
P	21-600600 (F) INFO				
<small>This drawing is the property of VBG Group AB and is protected in accordance with prevailing law. Changes must be made in CAD program, this concerns both 2D & 3D.</small>					

1 2 3 4 5 6 7 8 9 10 11 12