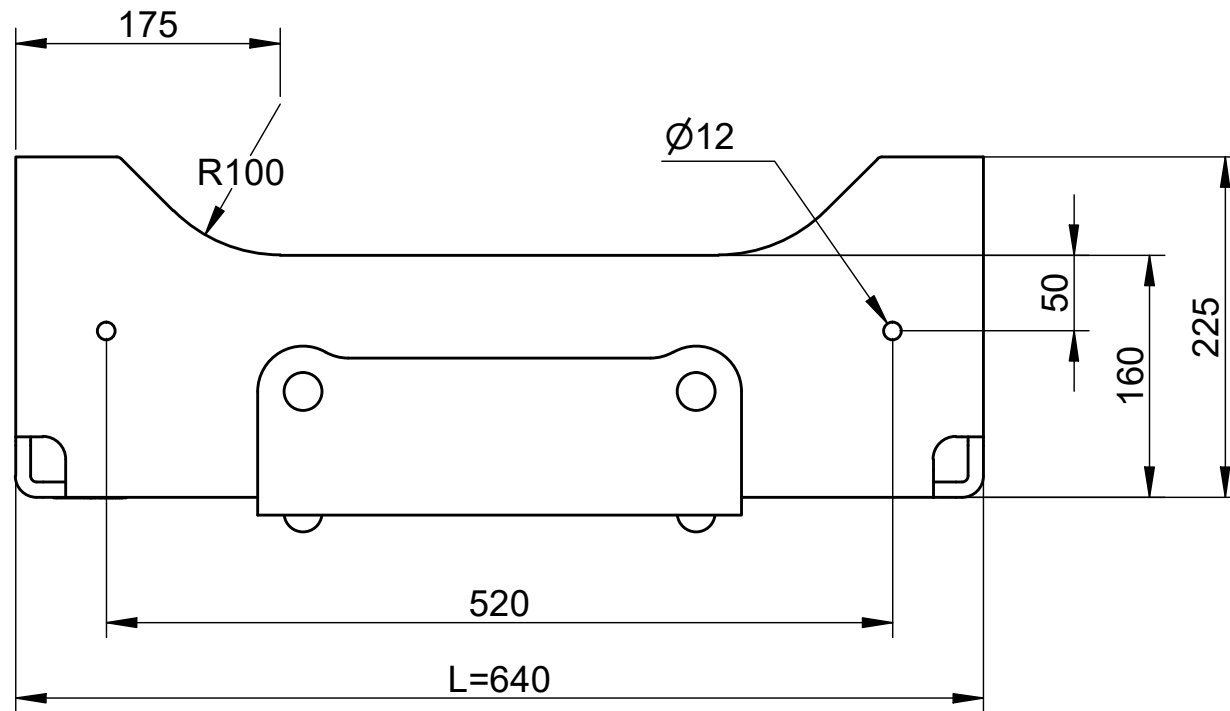
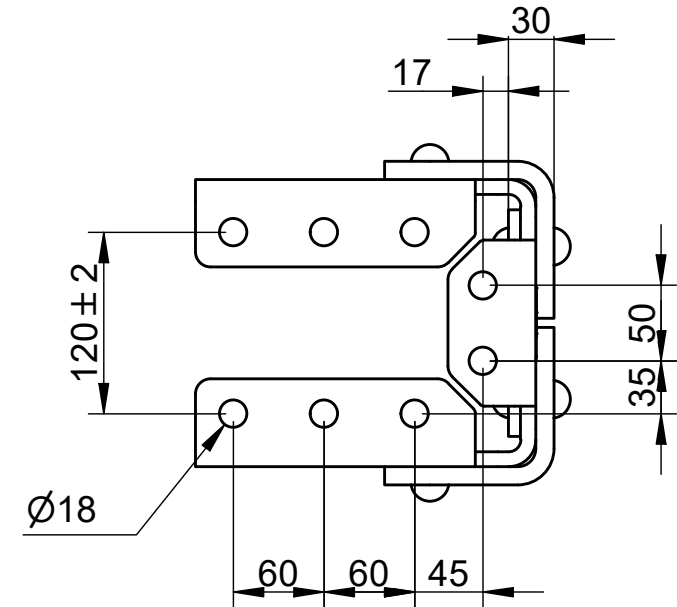
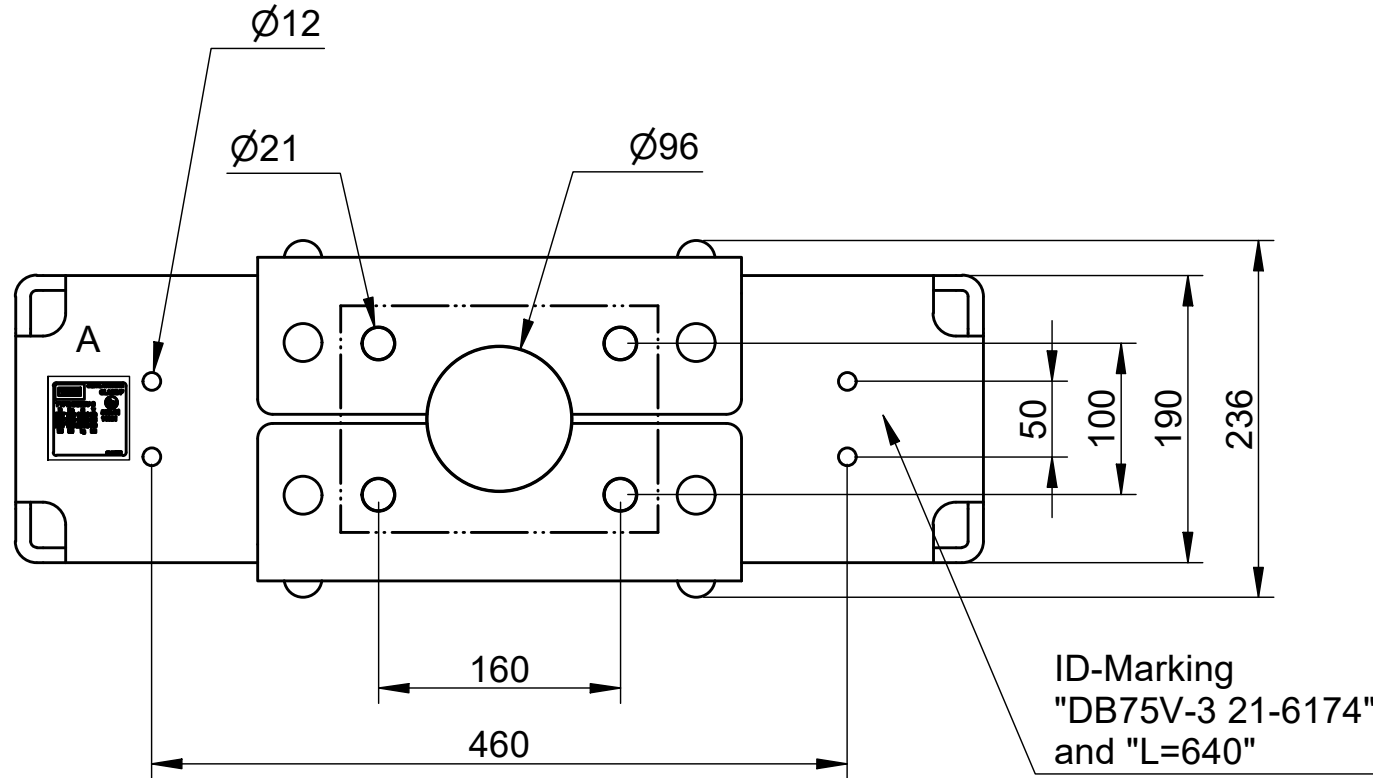


A (1:1)

VBG		Order No. XXXXXXXXXX	CLASS F
TYPE DB75V-3		(E11)	
D	D ₀	s	V
247	150	1000	80
247	200	1000	35
247	150	2000	63
kN	kN	kg	kN
			55R-01
			11081
38-915700			



Dimensions for information only - do not scale

VBG GROUP		Modified Date	Modified by	Modification No.	Issue
		2024-02-22	JE	14003	a
Description DB75V-3, L=640		3D Model No.		Engineer	
		21-808800		SJ	
Sheet Size	Scale	Projection	Drafting Date	Drafted by	
A3	1:5		2017-03-27	SJ	
Stage	Drawing No.				
P	21-808800 (F) INFO				
This drawing is the property of VBG Group AB and is protected in accordance with prevailing law. Changes must be made in CAD-program, this concerns both 2D & 3D.					