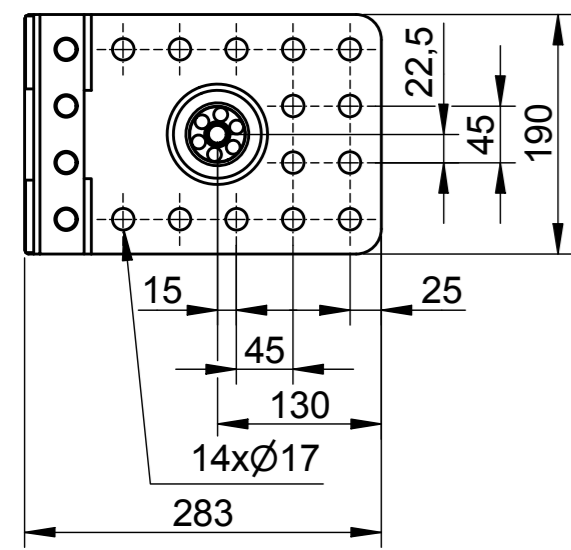
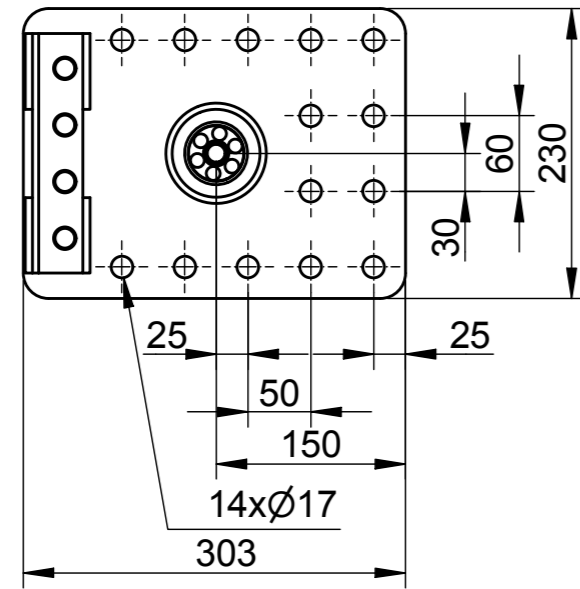


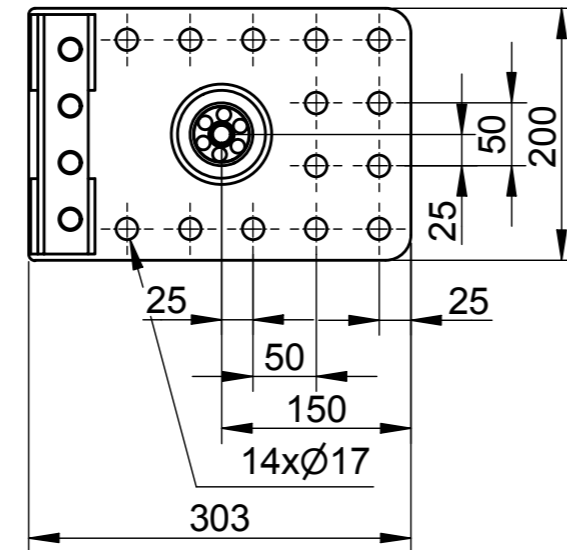
Mounting Plate 45x45
Part no 21-582300



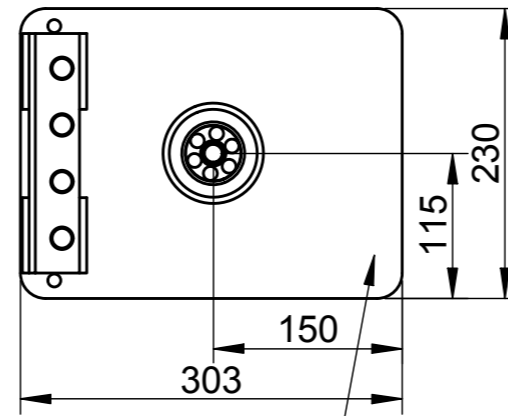
Mounting Plate 50x60
Part no 21-582700



Mounting Plate 50x50
Part no 21-582800

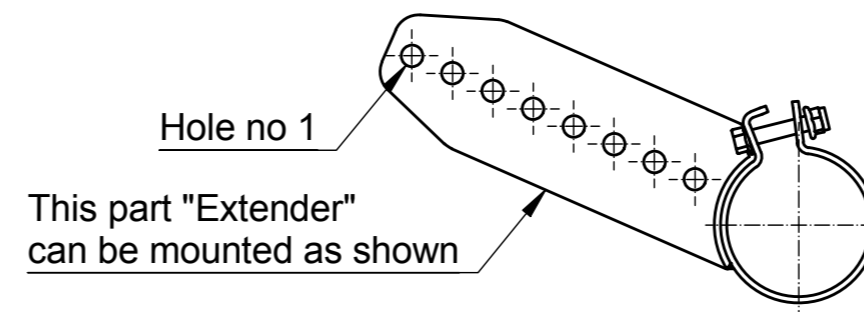
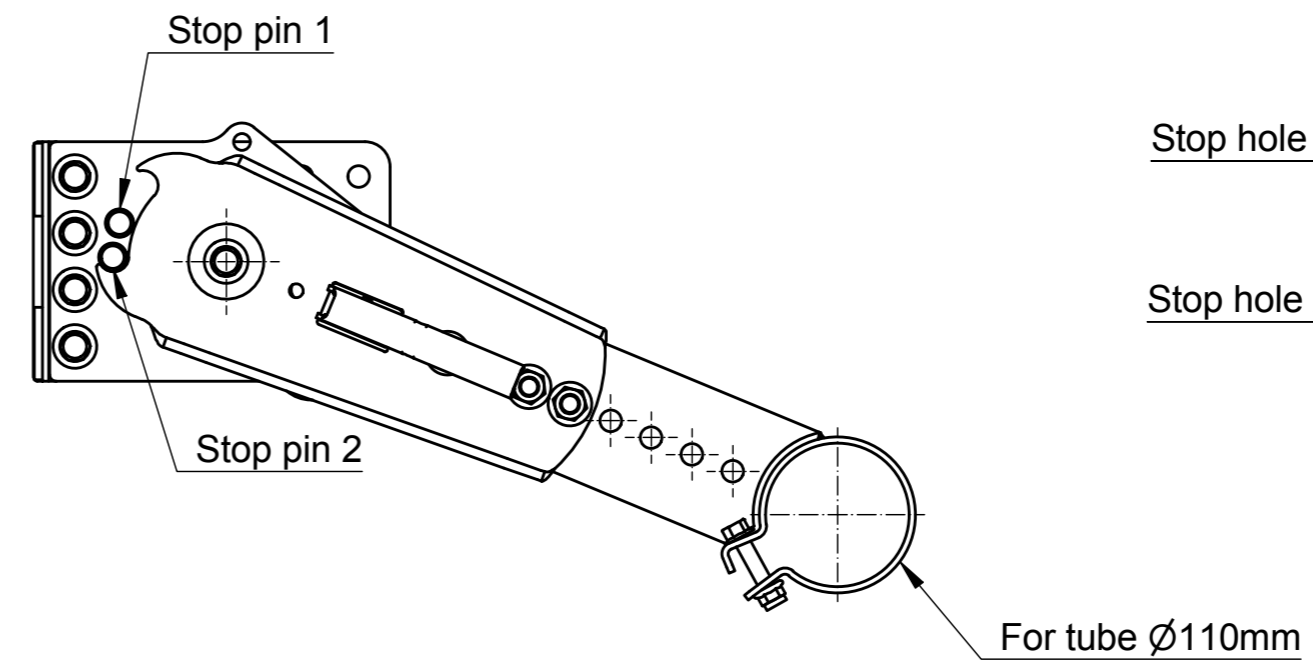
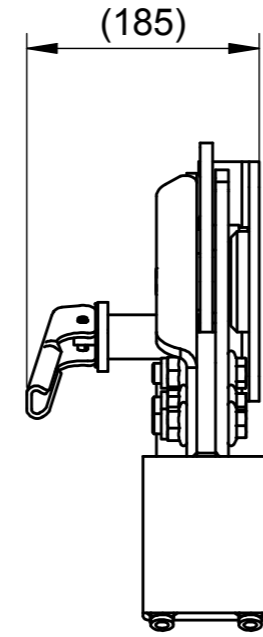
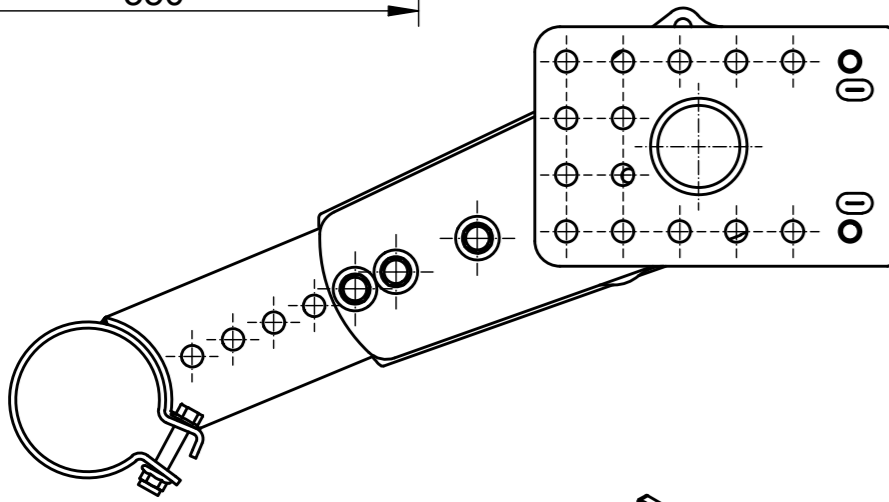
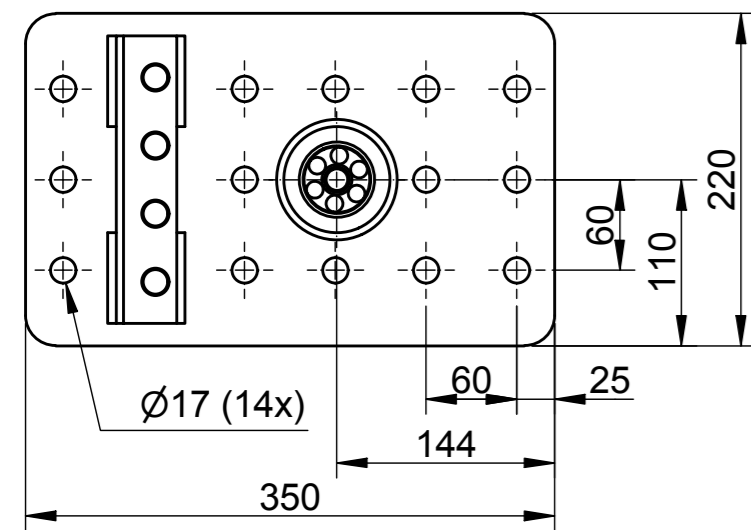


Mounting Plate Blanc
Part no 21-583200



Drilling hole pattern:
See mounting instruction 38-304700
or drawing 21-583200 (F) INFO

Mounting plate 60x60
Part 21-640400



Locking hole A			
Extender hole	L mm	A mm	H mm
1	525	402	337
2	490	375	315
3	455	349	292
4	420	322	270
5	385	295	247

Locking hole B			
Extender hole	L mm	A mm	H mm
1	525	485	201
2	490	453	188
3	455	420	174
4	420	388	161
5	385	356	147

- 1 Dimensions is for information only. Do not scale.
- 2 All parts are symmetric and can be mounted as left and right version. Left version shown.

VBG GROUP	Modified Date	Modified by	Modification No.	Issue
	2019-03-06	PR	13166	b
	3D Model No.	Engineer		
	21-597400	RA		
Description	Sheet Size	Scale	Projection	Drafting Date
Short EUFA, complete	A2	1 : 6	1st Angle	2016-06-27
	Stage	Drafted by		
	P	JE		
	Drawing No.			
	P 21-597400			

This drawing is the property of VBG Group AB and is protected in accordance with prevailing law. Changes must be made in CAD-program, this concerns both 2D & 3D.