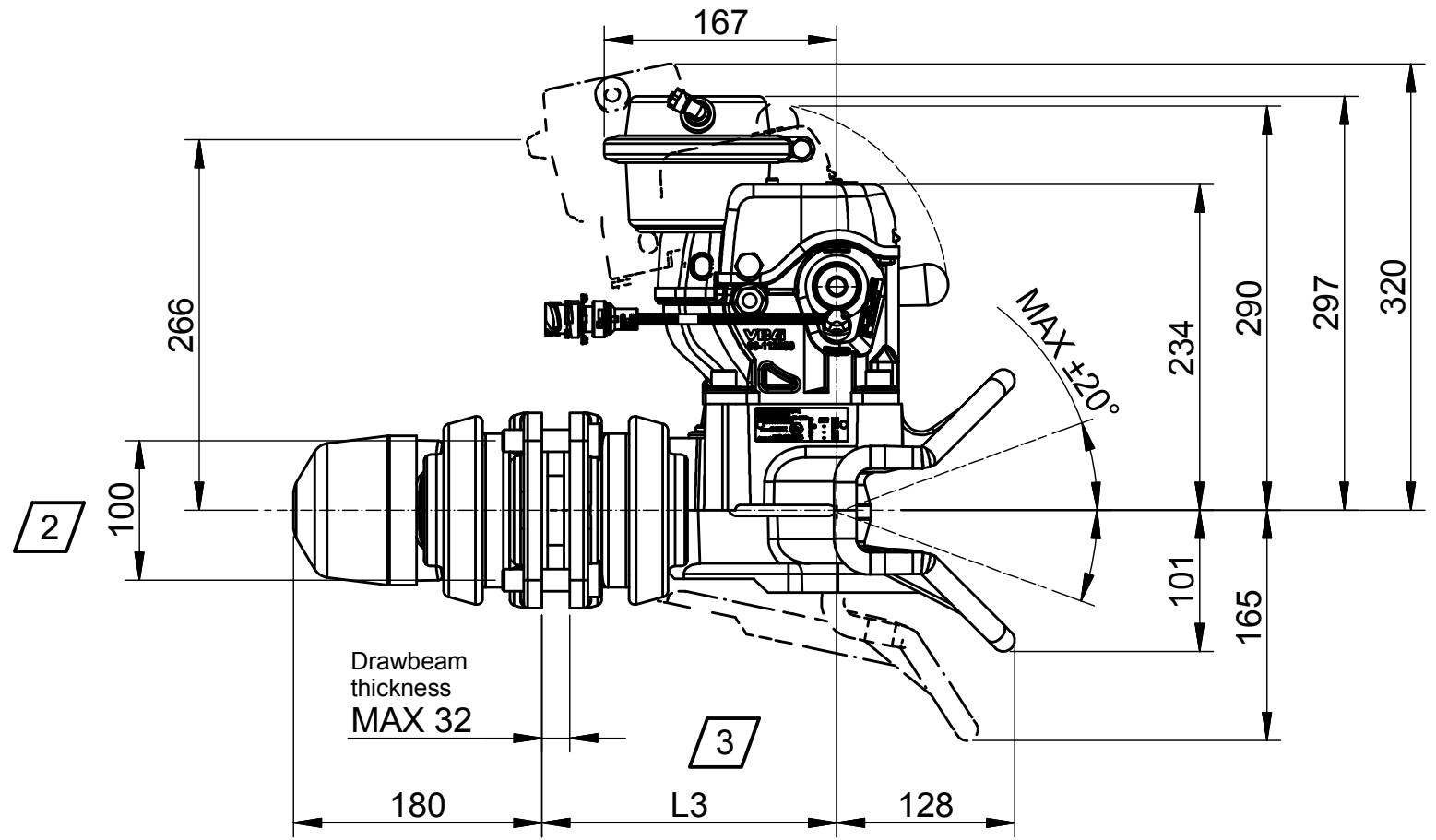
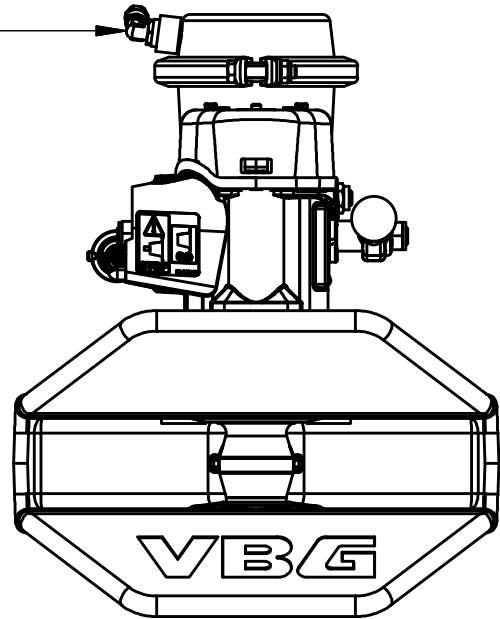


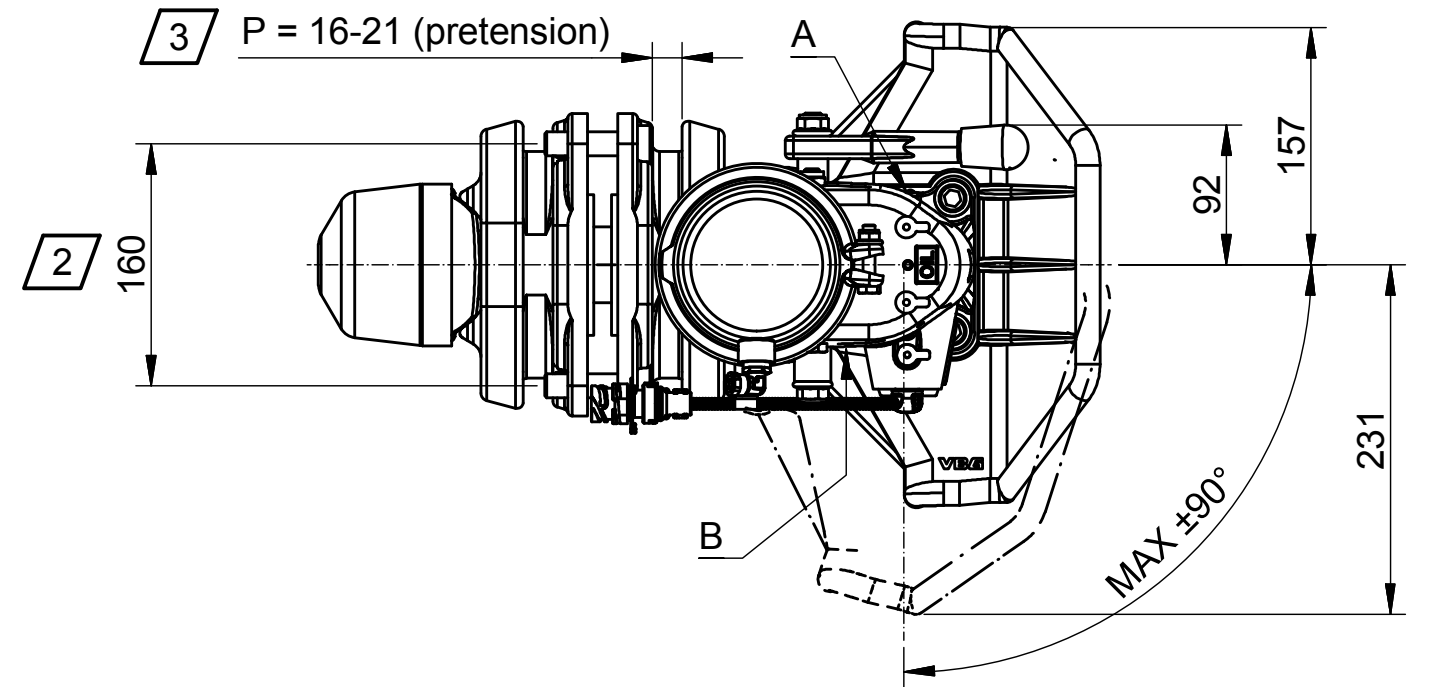
**Operation alternatives:**

- 1. Valve box
- 2. C-connector
- 3. Palm connector
- 4. Duomatic connector



**3** Coupling center distance "L3" depends of pretension and drawbar thickness and pretention (see table).

Drawbeam thickness	L3	
	P=16	P=21
16	204	209
20	208	213
22	210	215
28	216	221
30	218	223
32	220	225



**2** Mounting dimensions acc. to ISO 3584:2001 category 5-7.

**1** Measures are for information only. Tolerance ±10mm.

**A**

VBG  
 TYPE 5190D AM  
 PART 09-1881  
 NO. NO.YEAR/WEEK

VBG GROUP TRUCK EQUIPMENT AB

**B**

VBG VBG Group AB, Sweden  
 Type: 5190D AM Part: 09-1280  
 No: XXXXXX XXXX

D	200	kN
Dc	-	kN
S	-	kg
V	-	kN

Class: C 50-X (E11)  
 Approval: 55R-01 6775

EXTERNAL DISTRIBUTION

**VBG**

**VBG GROUP**

Description Coupling VBG 5190D AM Koppling VBG 5190D AM	Modified Date	2016-01-26	Modified by	HB	Modification No.	12613	Issue	h
	3D Model No.	09-128050		Engineer	KP		Checked by	A
	Sheet Size	A3	Scale	1:5	Projection		Drafting Date	2008-02-17
	Stage	P 09-128050 (F) INFO		Drawing No.	JO			

This drawing is the property of VBG Group AB and is protected in accordance with prevailing law. Changes must be made in CAD-program, this concerns both 2D & 3D.