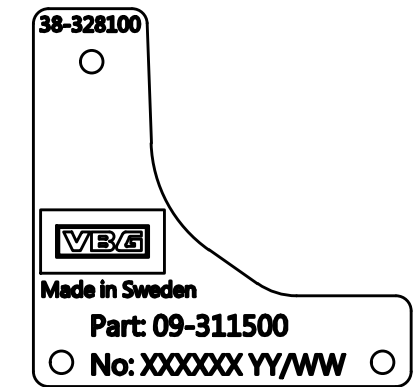
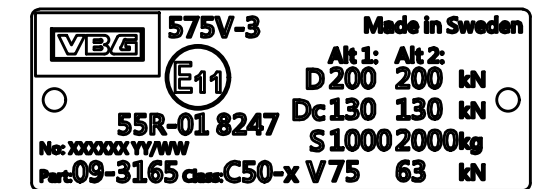


A, mechanism identification plate



B, identification plate

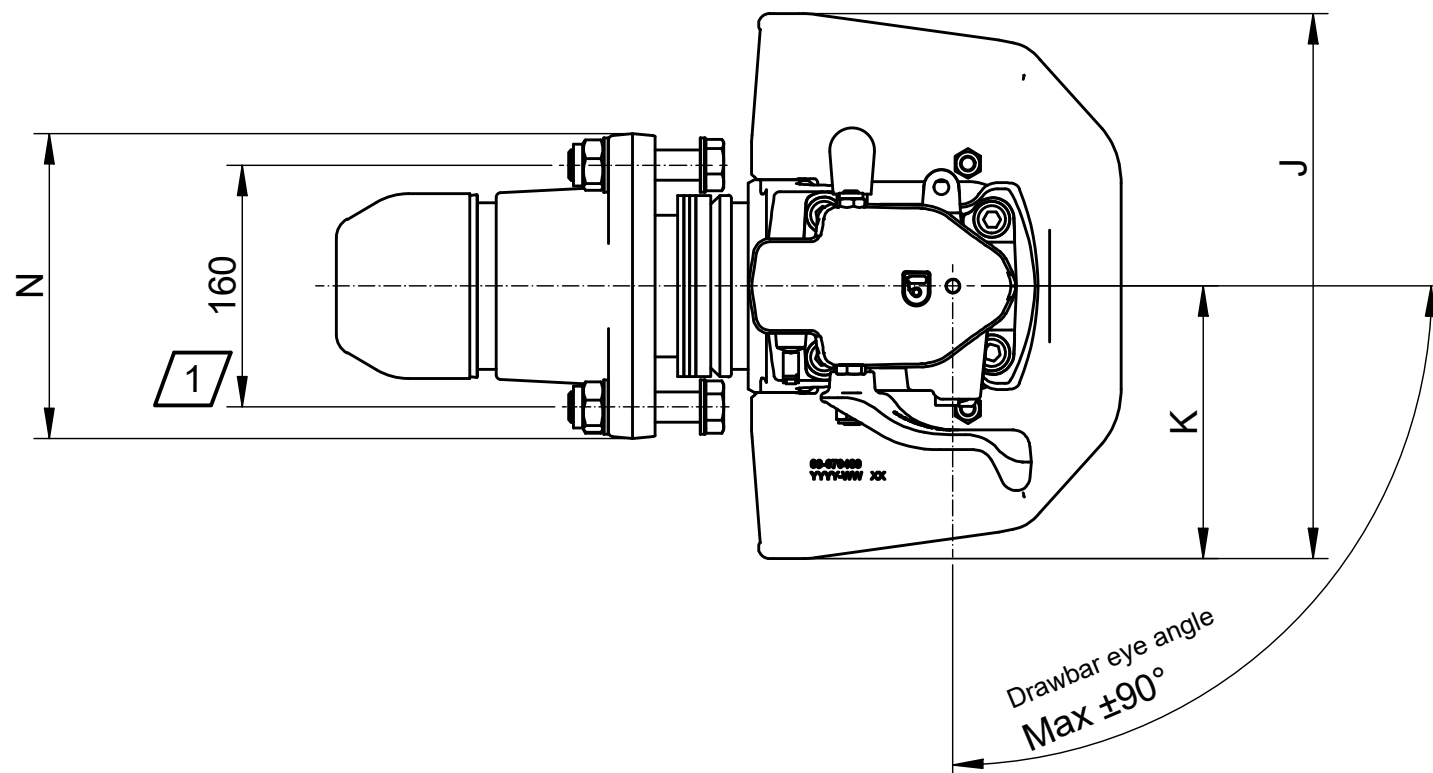


1 Mounting dimensions acc. to SS 550000-1 category 5 and ISO 3584 category 5-7

2 Coupling compatible with Ø50 drawbar eyes according to standard ISO 1102 and DIN 74053

Dimensions acc to standard SS 550000-1 Category 5

Dimension	Actual measure
M	139
N	202
P	211
Q	308
R	102
S	268
T	16-30
J	360
K	180
L3	193



Dimensions for information only. Tolerance ±10mm.



**VBG GROUP**

Description  
VBG 575V-3 S/S

Modified Date	2020-10-27	Modified by	HB	Modification No.	13001	Issue	a		
3D Model No.	09-316500					Engineer	JL		
Sheet Size	A3	Scale	1:5	Projection		Drafting Date	2020-10-27		
Stage	P	Drawing No.	09-316500 (F) INFO					Drafted by	HB
<small>This drawing is the property of VBG Group AB and is protected in accordance with prevailing law. Changes must be made in CAD-program, this concerns both 2D &amp; 3D.</small>									

Released