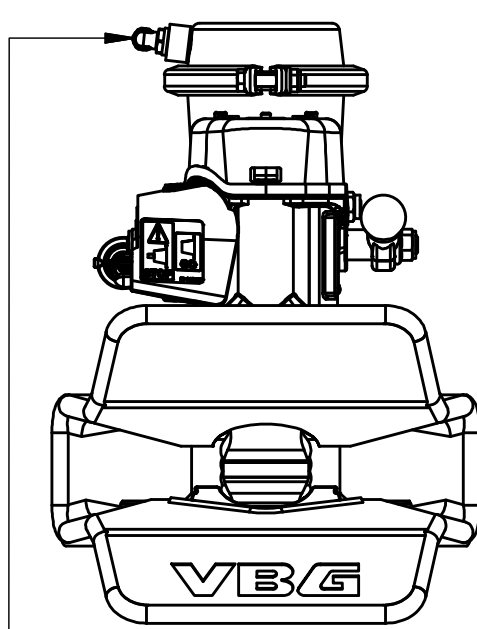
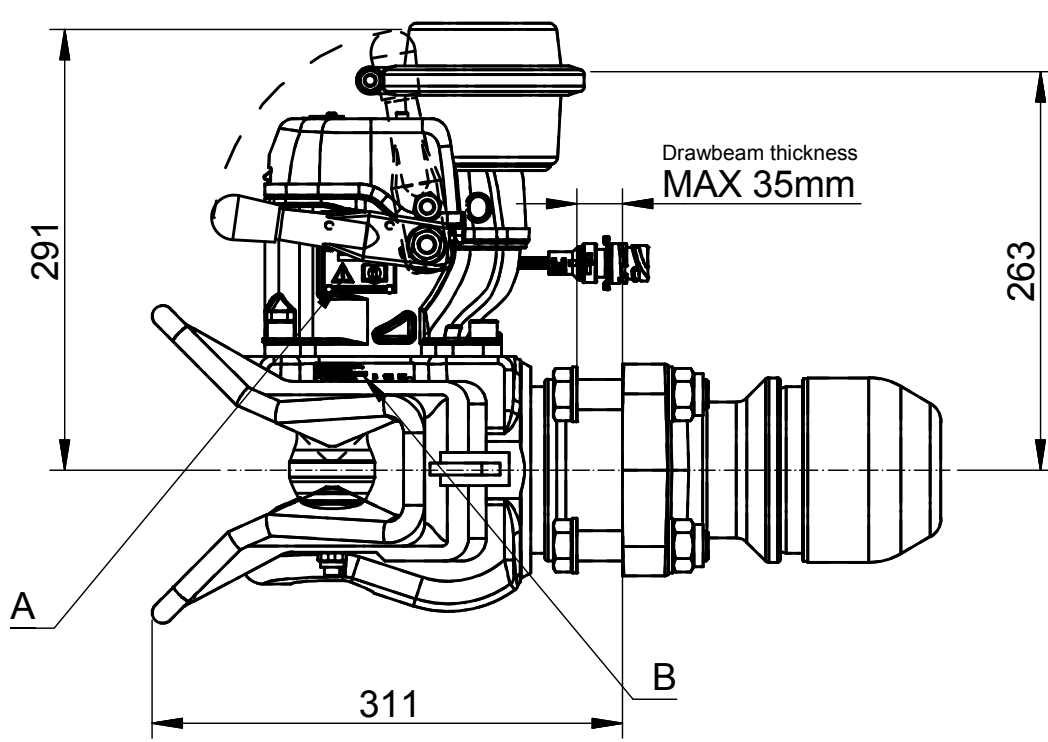
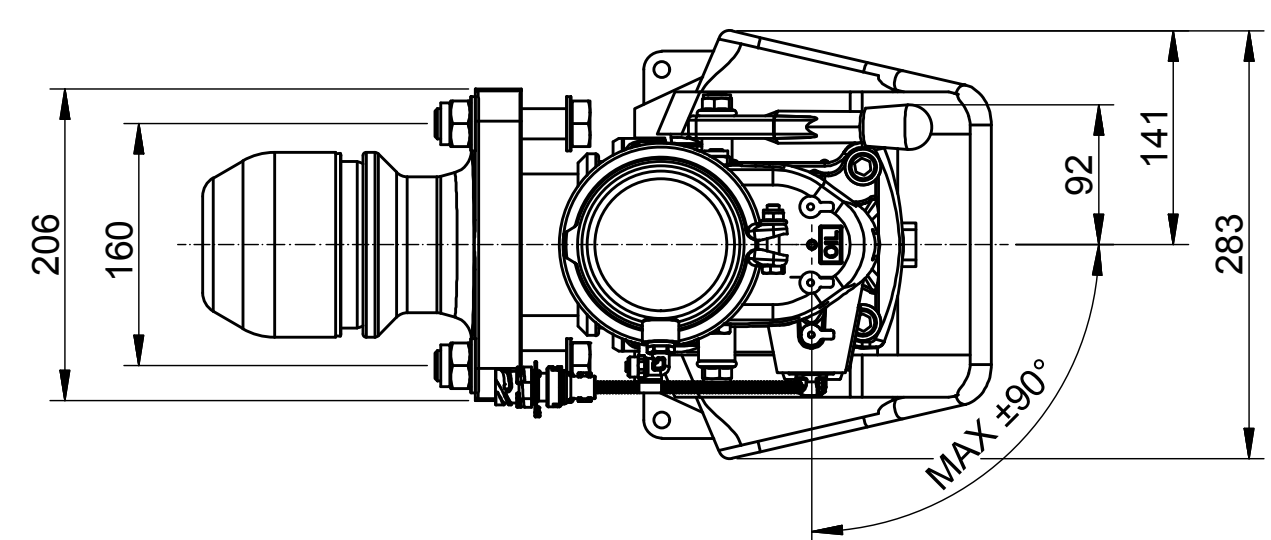
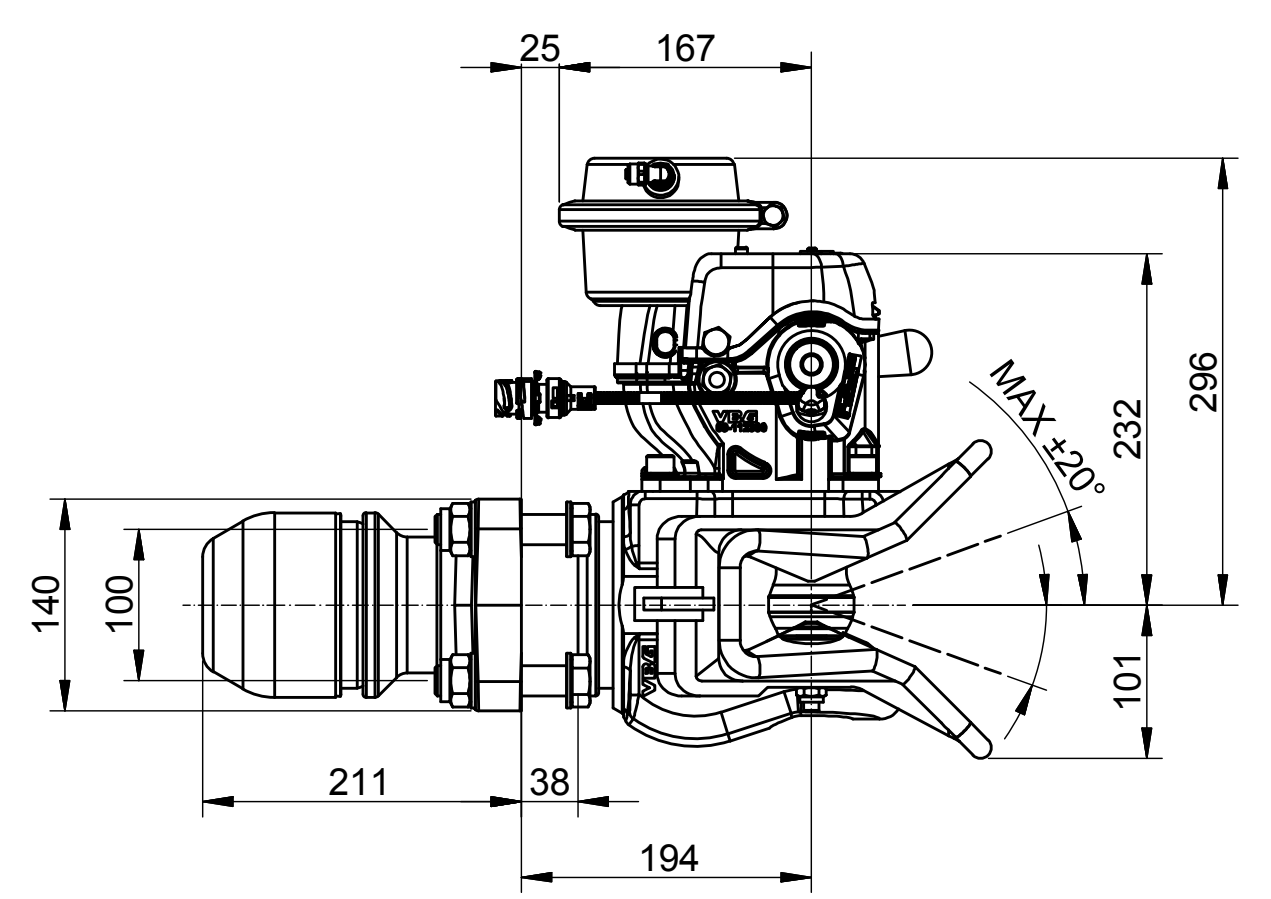


6 5 4 3 2 1

D



- Operation alternatives:
 1. Valve box
 2. C-connector
 3. Palm connector
 4. Duomatic connector

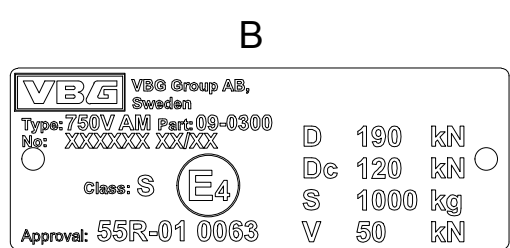
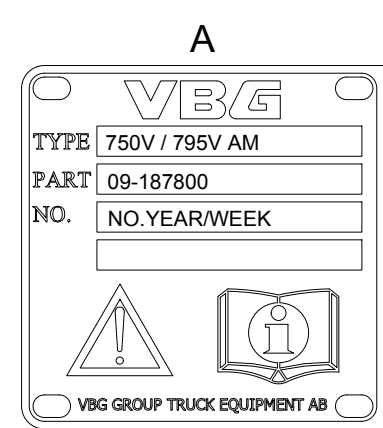


C

B

Acc to standard
 SS 550000-1 Category 5
 SS550100-1 C57

Dimension	Actual measure
M	140
N	206
P	211
Q	311
R	101
S	296
T	Max 35
J	283
K	141
L3	194



1 Measures for information only. Tolerance ±10mm.

A

A



VBG GROUP

Description
 Coupling VBG 750V AM

Modified Date	Modified by	Modification No.	Issue
2018-01-04	SN	13005	h
3D Model No.			Engineer
09-030050			KP
Sheet Size	Scale	Projection	Drafting Date
A3	1:5		2006-04-09
Stage	Drawing No.	Drafted by	
P	09-030050 (F) INFO	KP	

This drawing is the property of VBG Group AB and is protected in accordance with prevailing law. Changes must be made in CAD-program, this concerns both 2D & 3D.

6 5 4 3 2 1