

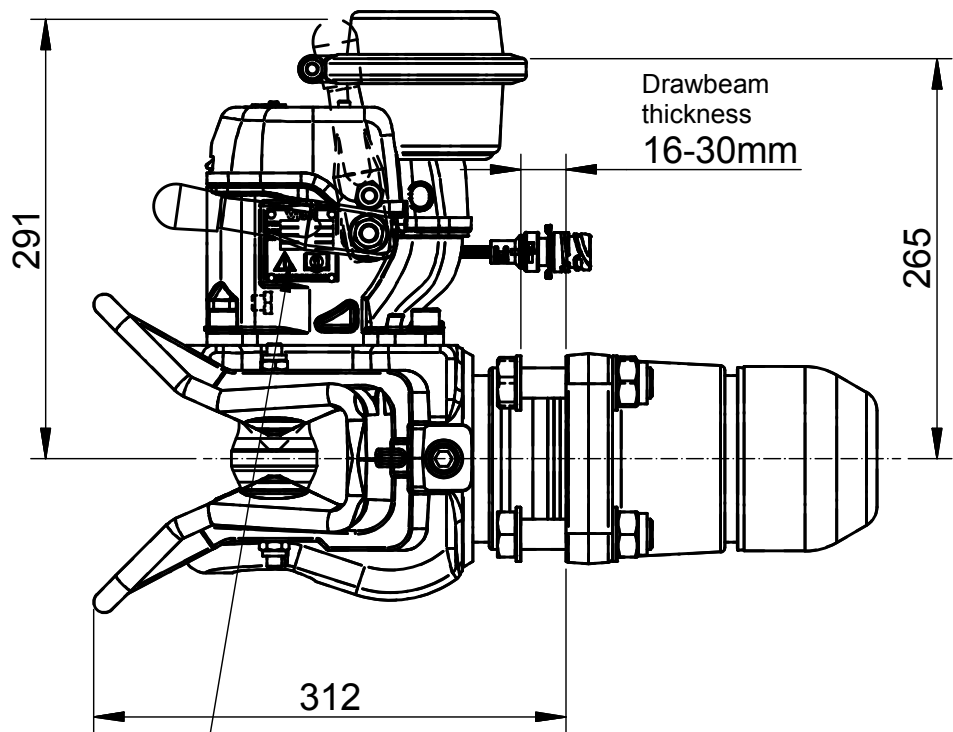
1 2 3 4 5 6

A

B

C

D



Acc to standard
SS 55000-1 Category 5
SS550100-1 C57

Dimension	Actual measure
M	139
N	201,5
P	206
Q	312
R	102
S	296
T	16-30
J	284
K	142
L3	193

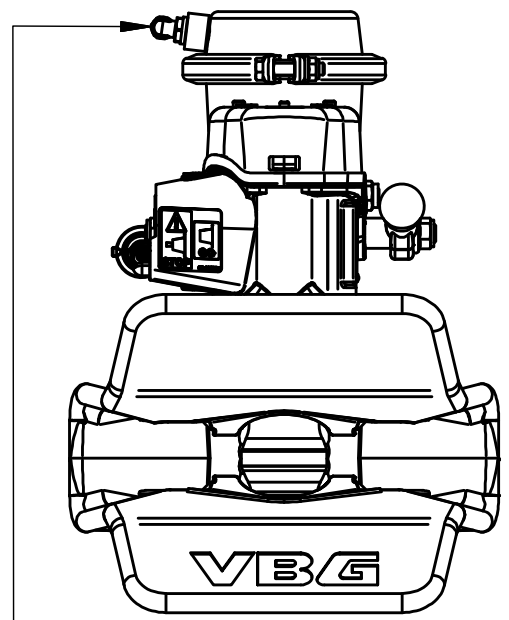
B (1:1)

VBG
 TYPE 750V / 795V AM
 PART 09-187800
 NO. NO./YEAR/WEEK

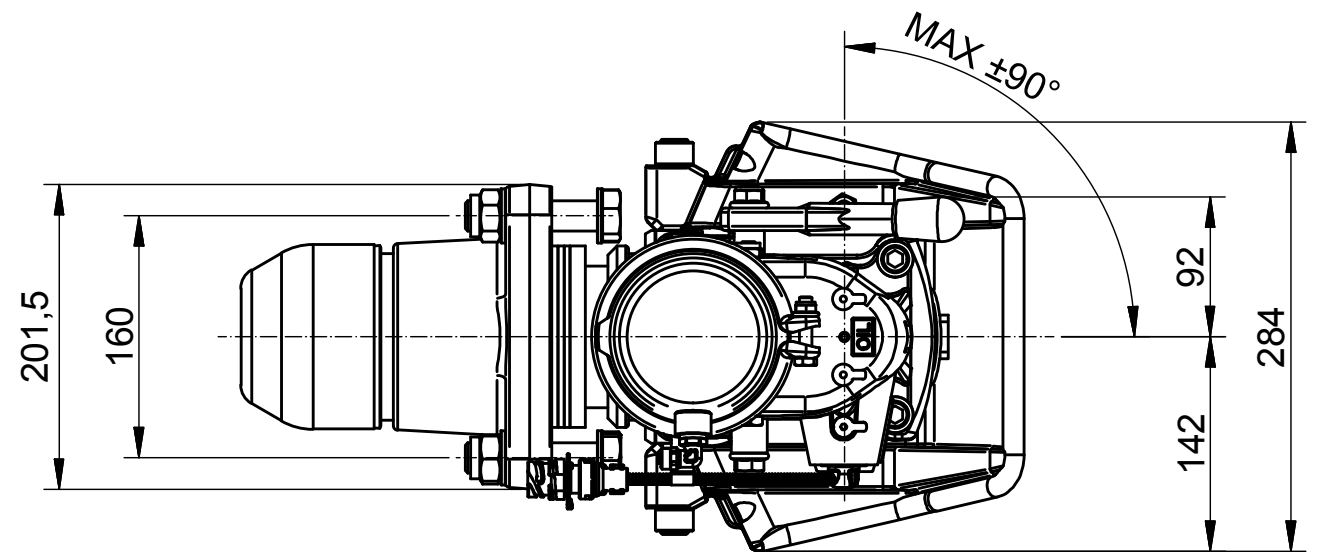
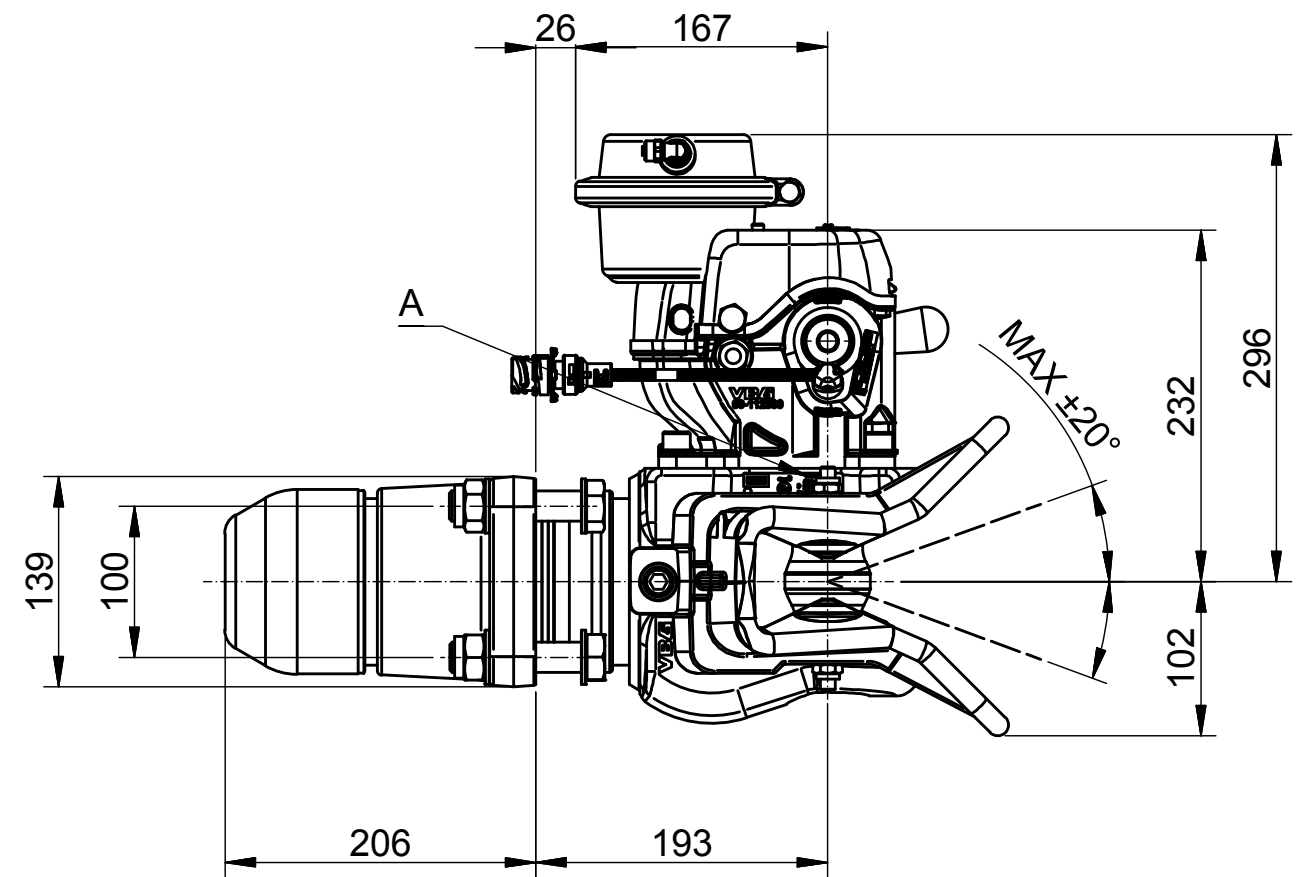
VBG GROUP TRUCK EQUIPMENT AB

A (1:1)

VBG Class: S No: XXXXXX XX/XX
 Alt 1: Alt 2:
 D 290 290 kN
 Dc 145 150 kN
 S 1000 2000kg
 Type: 795V-2 55R- S 1000 2000kg
 Part: 09-2553 01 0065 v 95 75 kN



- Operation alternatives:
 1. Valve box
 2. C-connector
 3. Palm connector
 4. Duomatic connector



1 Measures for information only. Tolerance ±10mm.



VBG GROUP

Description
Coupling VBG 795V-2 AM short/short

Modified Date	Modified by	Modification No.	Issue
2018-01-04	SN	13005	C
3D Model No.	Engineer		
09-255300	KP		
Sheet Size	Scale	Projection	Drafting Date
A3	1:5		2014-04-15
Stage	Drafting No.		Drafted by
P	09-255300 (F) INFO		KP

This drawing is the property of VBG Group AB and is protected in accordance with prevailing law. Changes must be made in CAD-program, this concerns both 2D & 3D.

1 2 3 4 5 6