

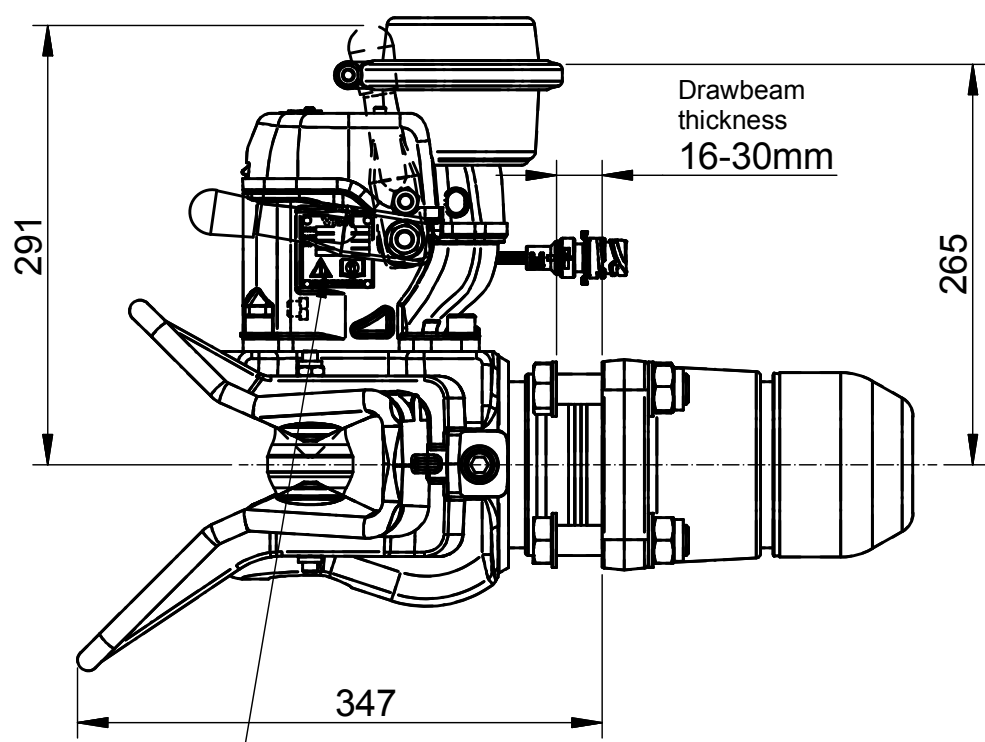
1 2 3 4 5 6

A

B

C

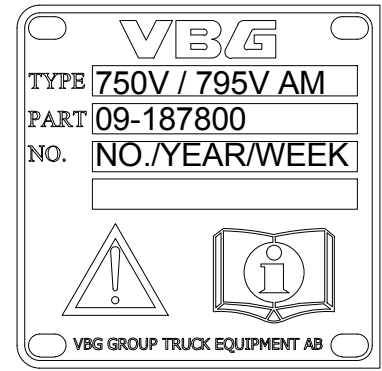
D



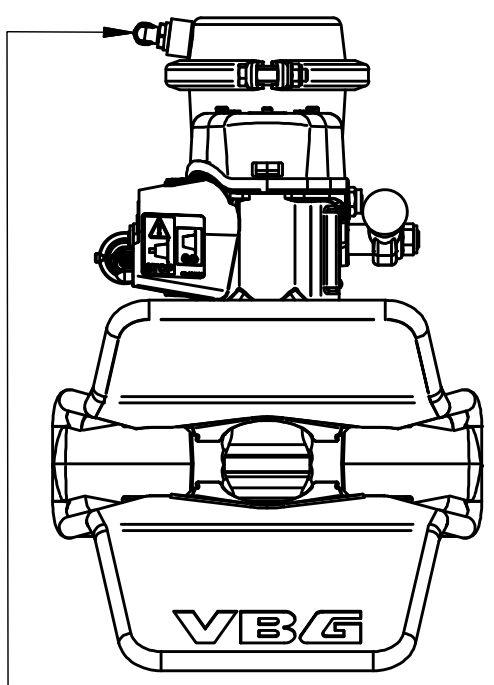
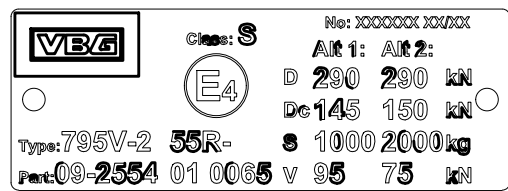
Acc to standard
SS 550000-1 Category 5
SS550100-1 C57

Dimension	Actual measure
M	139
N	201,5
P	206
Q	312
R	136
S	296
T	16-30
J	284
K	142
L3	193

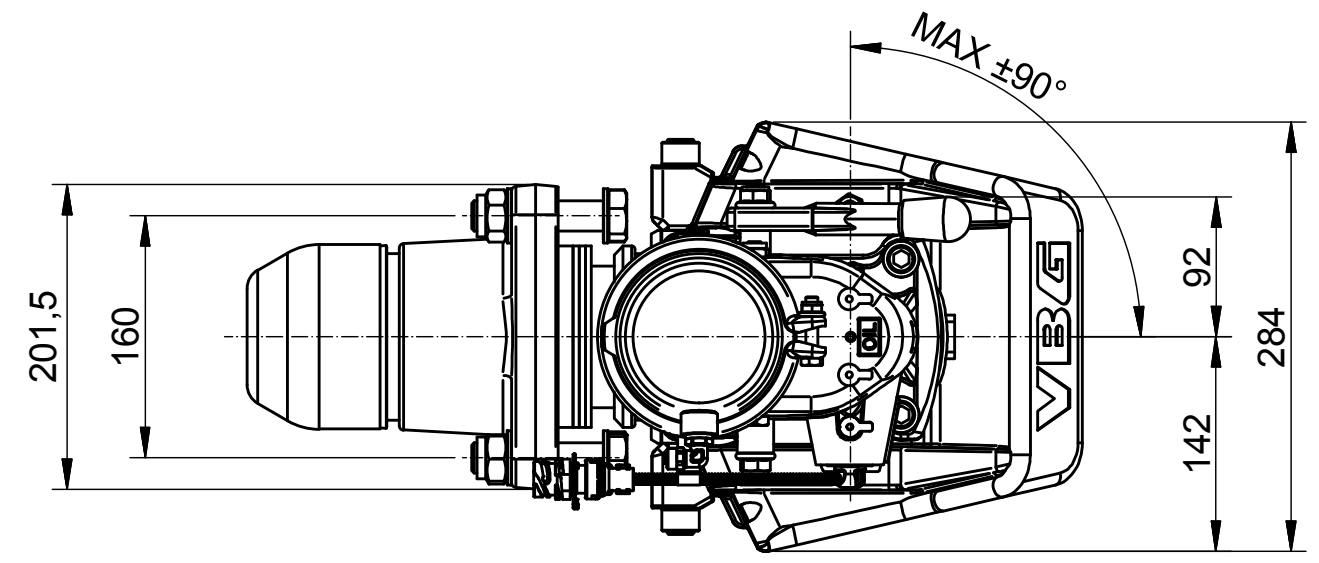
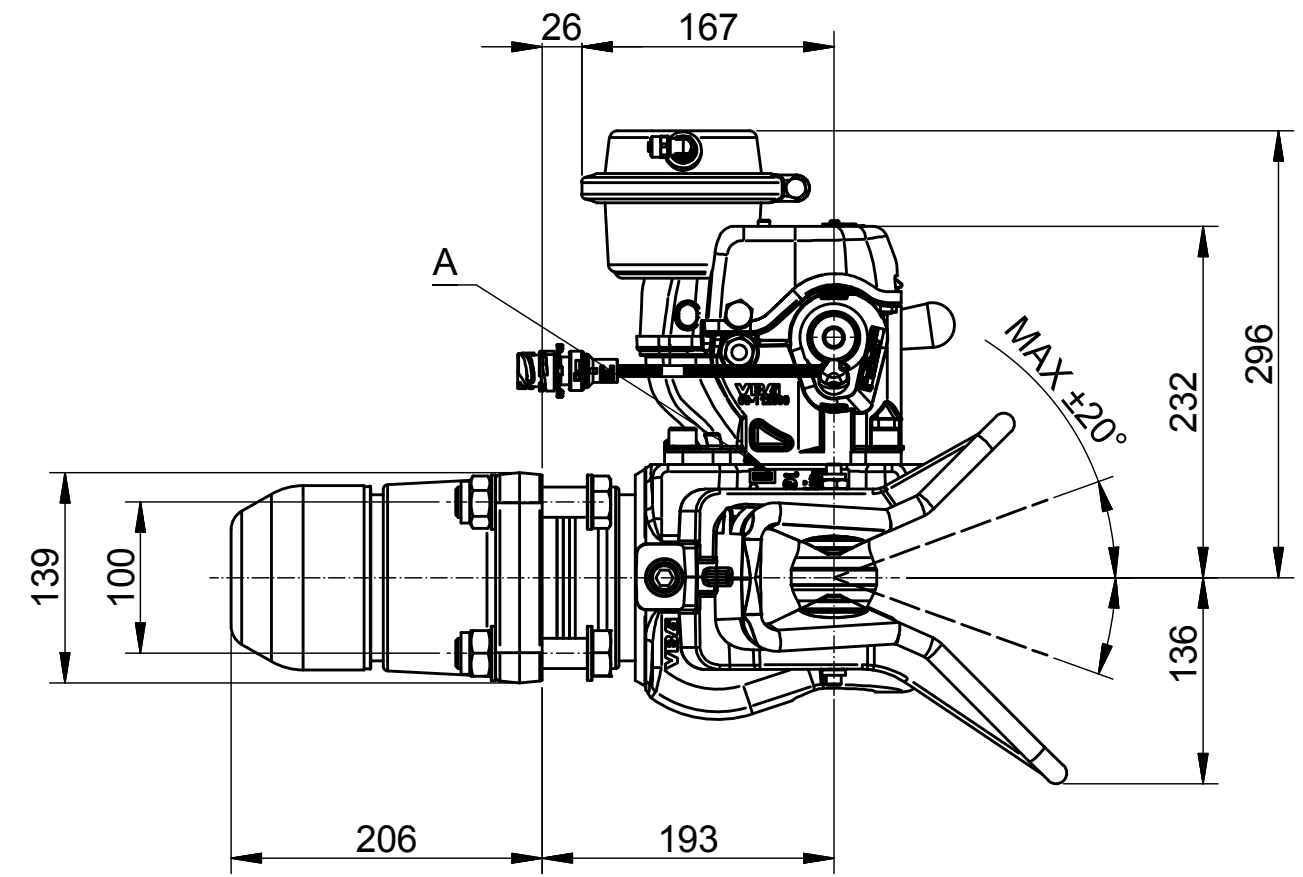
B (1:1)



A (1:1)



Operation alternatives:
1. Valve box
2. C-connector
3. Palm connector
4. Duomatic connector



1 Measures for information only. Tolerance ±10mm.



VBG GROUP

Description
Coupling VBG 795V-2 AM short/long

Modified Date	Modified by	Modification No.	Issue
2018-01-04	SN	13005	C
3D Model No.	09-255400		Engineer
			KP
Sheet Size	Scale	Projection	Drafting Date
A3	1:5		2014-04-16
Stage	Drafting No.		
P	09-255400 (F) INFO		

This drawing is the property of VBG Group AB and is protected in accordance with prevailing law. Changes must be made in CAD-program, this concerns both 2D & 3D.

1 2 3 4 5 6