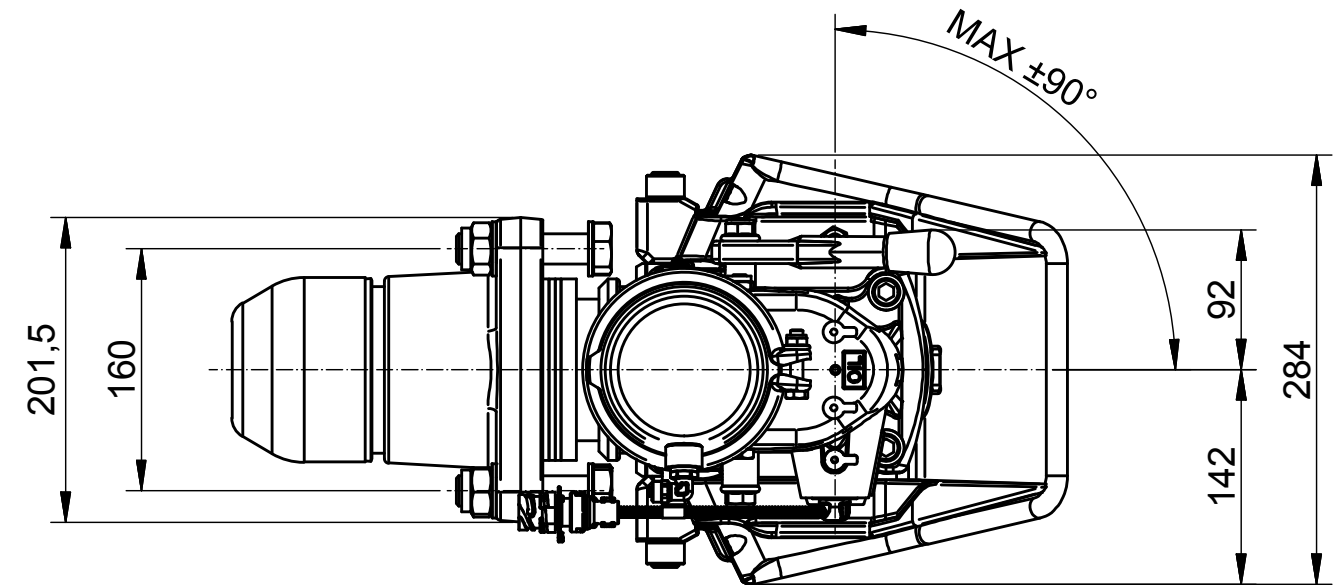
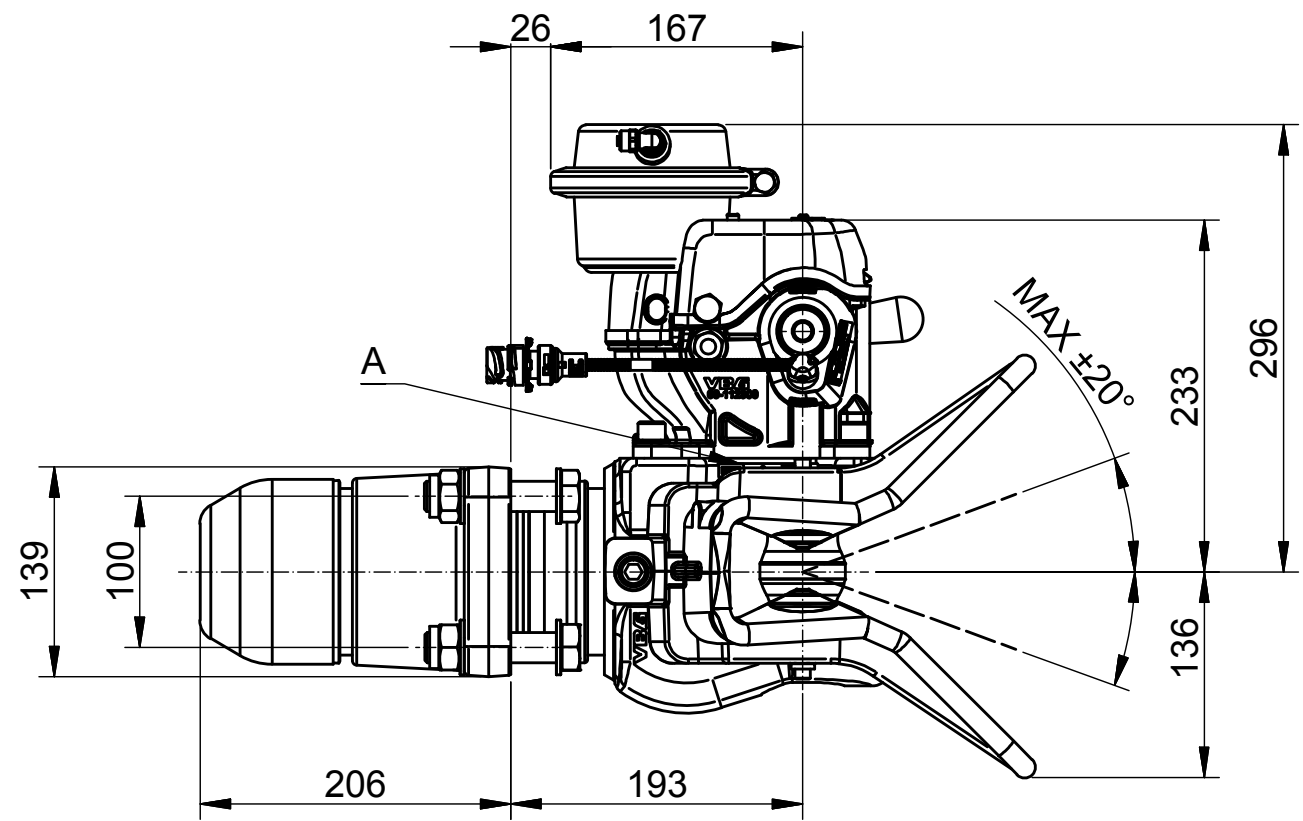


- Operation alternatives:
1. Valve box
 2. C-connector
 3. Palm connector
 4. Duomatic connector



Acc to standard
 SS 55000-1 Category 5
 SS550100-1 C57

Dimension	Actual measure
M	139
N	201,5
P	206
Q	347
R	136
S	296
T	16-30
J	284
K	142
L3	193

B (1:1)

A (1:1)

VBG

TYPE 750V / 795V AM
 PART 09-187800
 NO. NO./YEAR/WEEK

VBG GROUP TRUCK EQUIPMENT AB

VBG Class: S

No: XXXXXX XX/XX
 AN 1: AN 2:
 D 290 290 kN
 Dc 145 150 kN
 Type: 795V-2 55R- S 1000 2000kg
 Part: 09-2555 01 0065 v 95 75 kN

1 Measures for information only. Tolerance ±10mm.



VBG GROUP

Description
 Coupling VBG 795V-2 AM long/long

Modified Date	Modified by	Modification No.	Issue
2018-01-04	SN	13005	C
3D Model No.			Engineer
09-255500			KP
Sheet Size	Scale	Projection	Drafting Date
A3	1:5		2014-04-22
Stage	Drafting No.		
P	09-255500 (F) INFO		

This drawing is the property of VBG Group AB and is protected in accordance with prevailing law. Changes must be made in CAD-program, this concerns both 2D & 3D.