

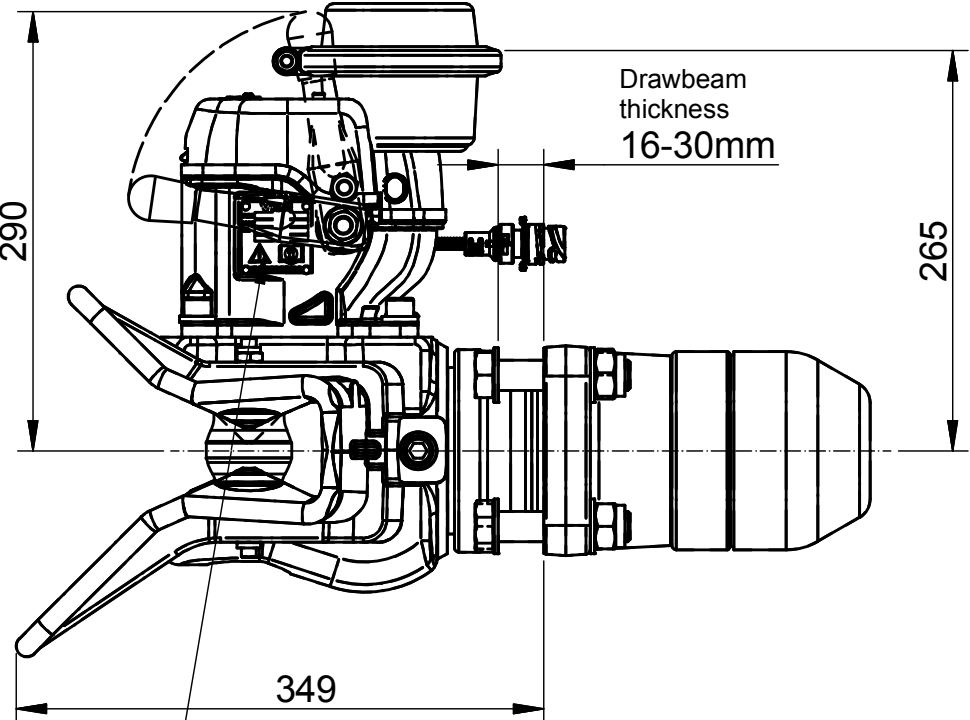
1 2 3 4 5 6

A

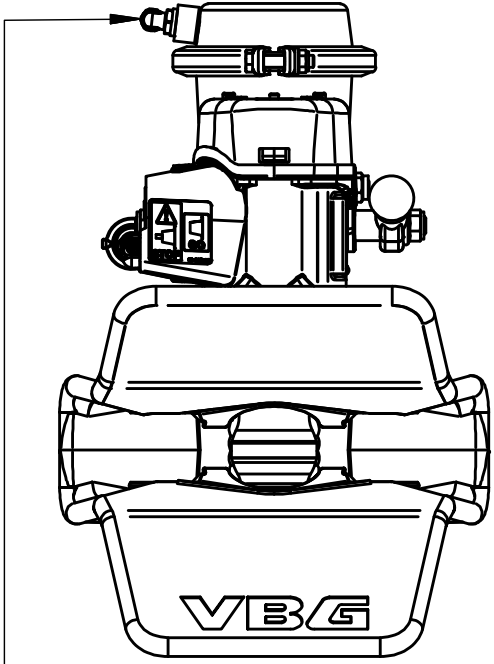
B

C

D



Drawbeam thickness  
16-30mm



- Operation alternatives:**
1. Valve box
  2. C-connector
  3. Palm connector
  4. Doumatic connector

Acc to standard  
SS 550000-1 Category 5  
SS550100-1 C57

Dimension	Actual measure
M	139
N	201,5
P	216
Q	349
R	136
S	296
T	16-30
J	284
K	142
L3	195

B (1:1)

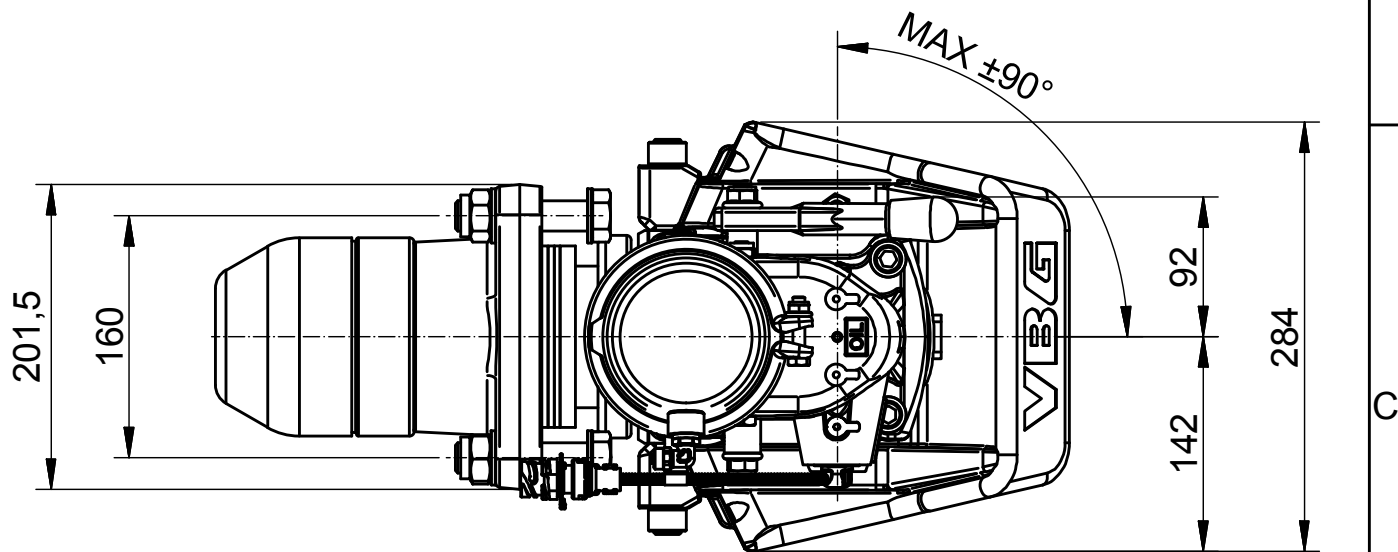
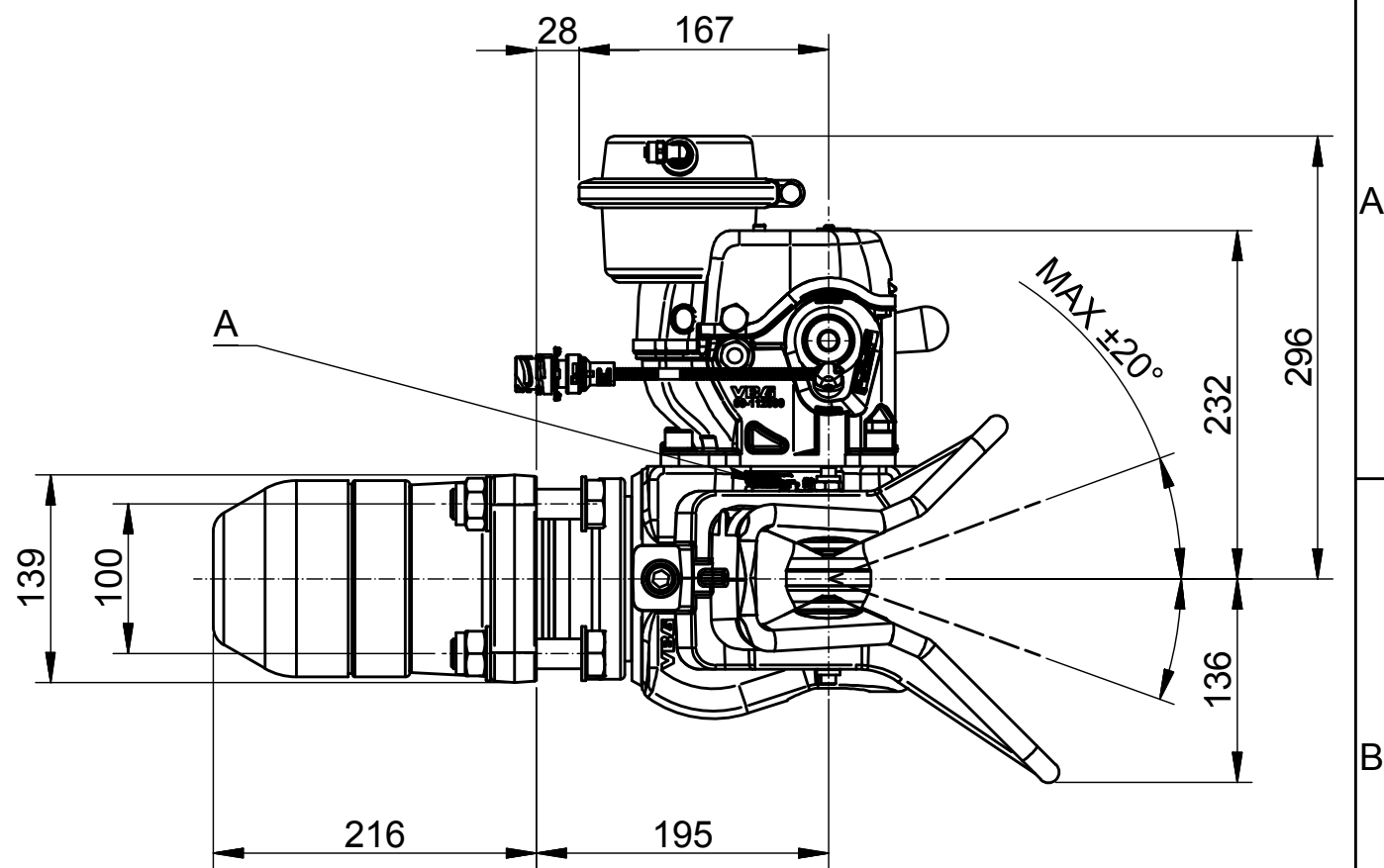
A (1:1)

**VBG**

TYPE 750V / 795V AM  
PART 09-187800  
NO. NO./YEAR/WEEK

VBG GROUP TRUCK EQUIPMENT AB

**VBG** VBG Group AB, Sweden  
Type: 795VR-2 Part: 09-2565 No: XXXXXX XX/XX  
Alt 1: Alt 2:  
D 290 290 kN  
Dc 145 150 kN  
Class: S E4 S 10002000kg  
Approvals: 55R-01 0065 V 95 75 kN



1 Measures for information only. Tolerance ±10mm.



**VBG GROUP**

Description  
Coupling VBG 795VR-2 AM short/long

Modified Date	Modified by	Modification No.	Issue
2018-01-04	SN	13005	b
3D Model No.	09-256500		Engineer
Sheet Size	Scale	Projection	Drafting Date
A3	1:5	1st angle	2014-04-24
Stage	Drawing No.	Drafted by	
P	09-256500 (F) INFO	KP	

This drawing is the property of VBG Group AB and is protected in accordance with prevailing law. Changes must be made in CAD-program, this concerns both 2D & 3D.

1 2 3 4 5 6