

1 2 3 4 5 6

A

B

C

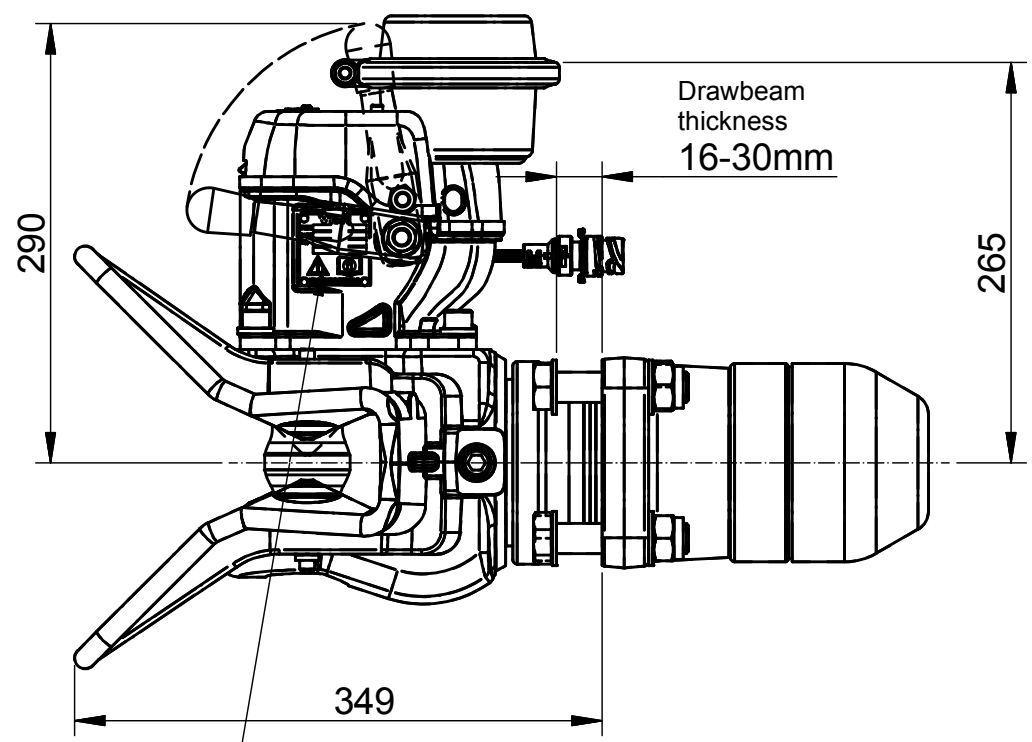
D

A

B

C

D



Drawbeam thickness
16-30mm

Acc to standard
SS 550000-1 Category 5
SS550100-1 C57

| Dimension | Actual measure |
|-----------|----------------|
| M | 139 |
| N | 201,5 |
| P | 216 |
| Q | 349 |
| R | 136 |
| S | 296 |
| T | 16-30 |
| J | 284 |
| K | 142 |
| L3 | 195 |

B (1:1)

VBG

TYPE 750V / 795V AM
PART 09-187800
NO. NO./YEAR/WEEK

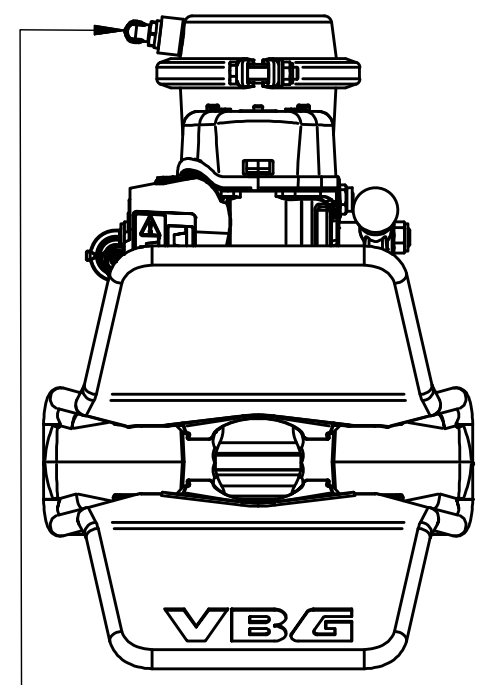
VBG GROUP TRUCK EQUIPMENT AB

A (1:1)

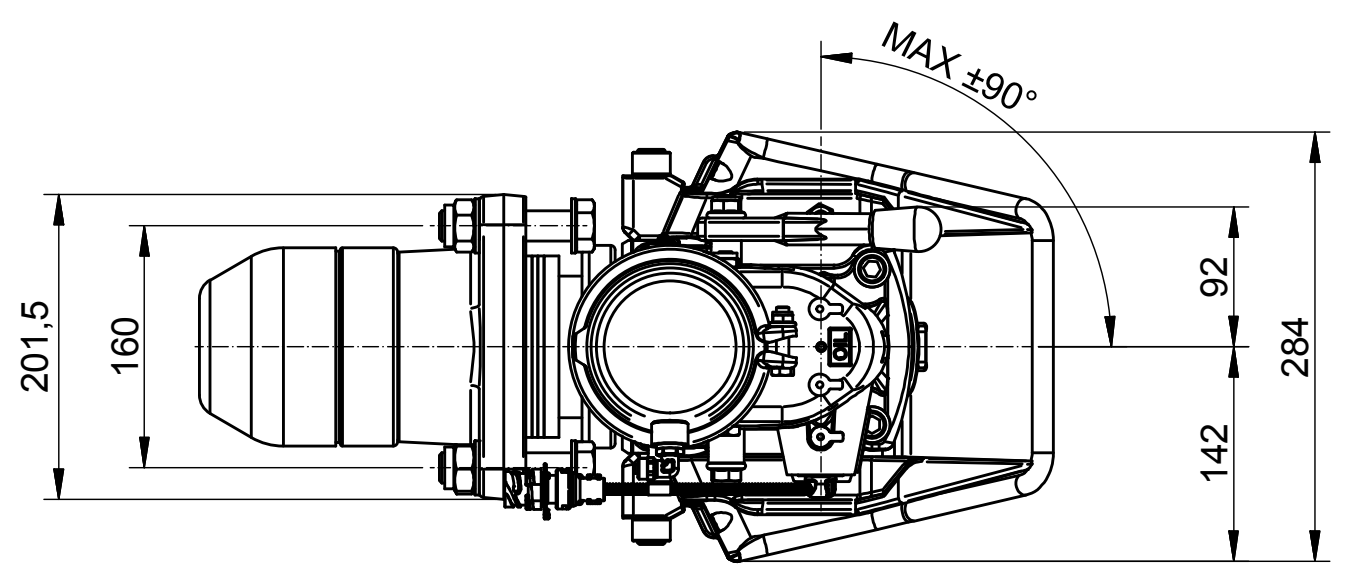
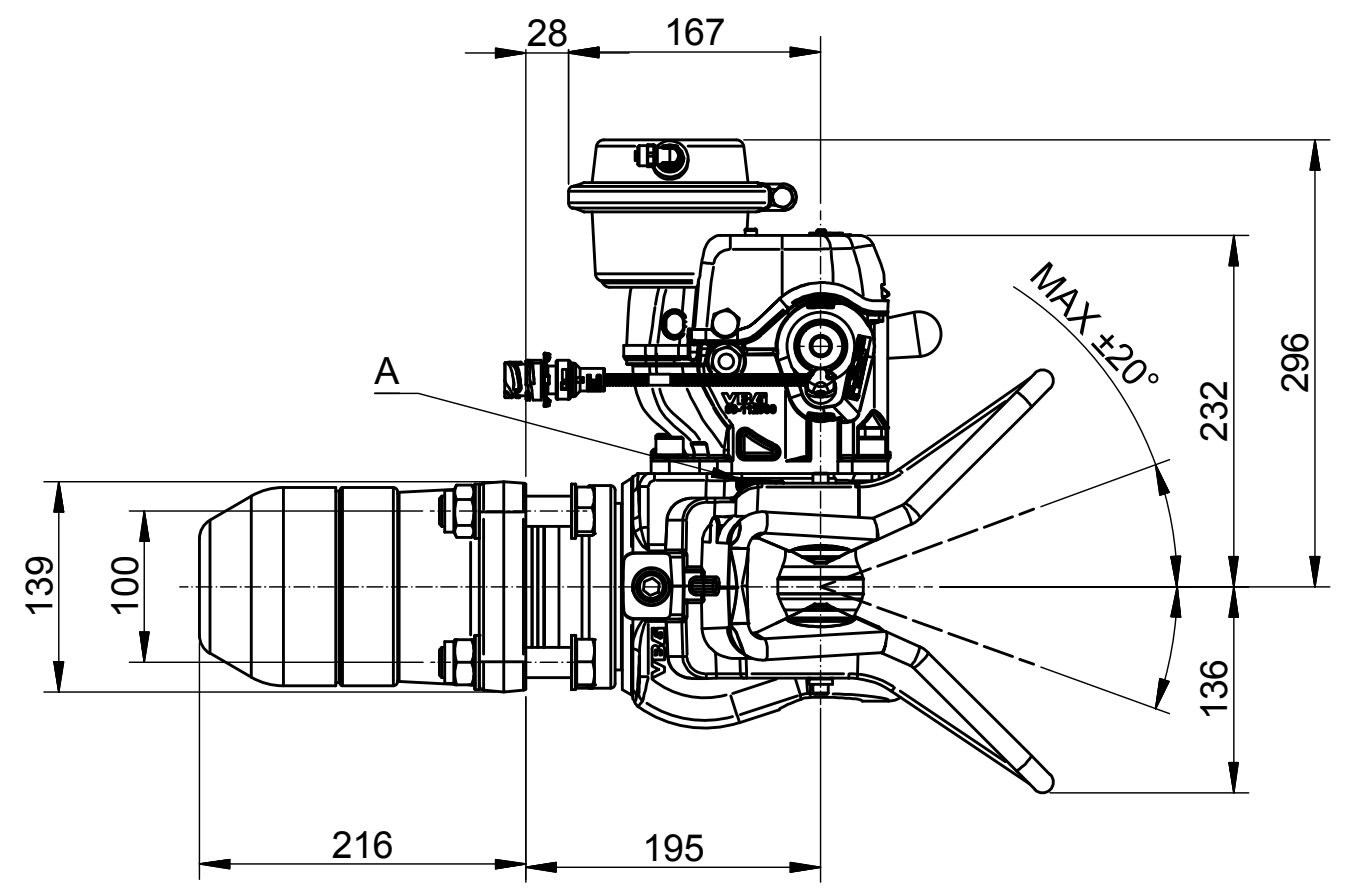
VBG VBG Group AB, Sweden
Type: 795VR-2 Part: 09-25660
No: XXXXXX XX/XX

Alt 1: Alt 2:
D 290 290 kN
Dc 145 150 kN
S 10002000kg

Class: S **E4**
Approval: 55R-01 0065 V 95 75 kN



Operation alternatives:
1. Valve box
2. C-connector
3. Palm connector
4. Duomatic connector



1 Measures for information only. Tolerance ±10mm.

VBG

VBG GROUP

| | | | | |
|---|--------------------|-------------|------------------|------------|
| Description Coupling VBG 795VR-2 AM long/long | Modified Date | Modified by | Modification No. | Issue |
| | 2018-01-04 | SN | 13005 | b |
| | 3D Model No. | 09-256600 | | Engineer |
| | | | | KP |
| Sheet Size | Scale | Projection | Drafting Date | Drafted by |
| A3 | 1:5 | | 2014-04-24 | KP |
| Stage | Drawing No. | | | |
| P | 09-256600 (F) INFO | | | |
| This drawing is the property of VBG Group AB and is protected in accordance with prevailing law. Changes must be made in CAD-program, this concerns both 2D & 3D. | | | | |

1 2 3 4 5 6