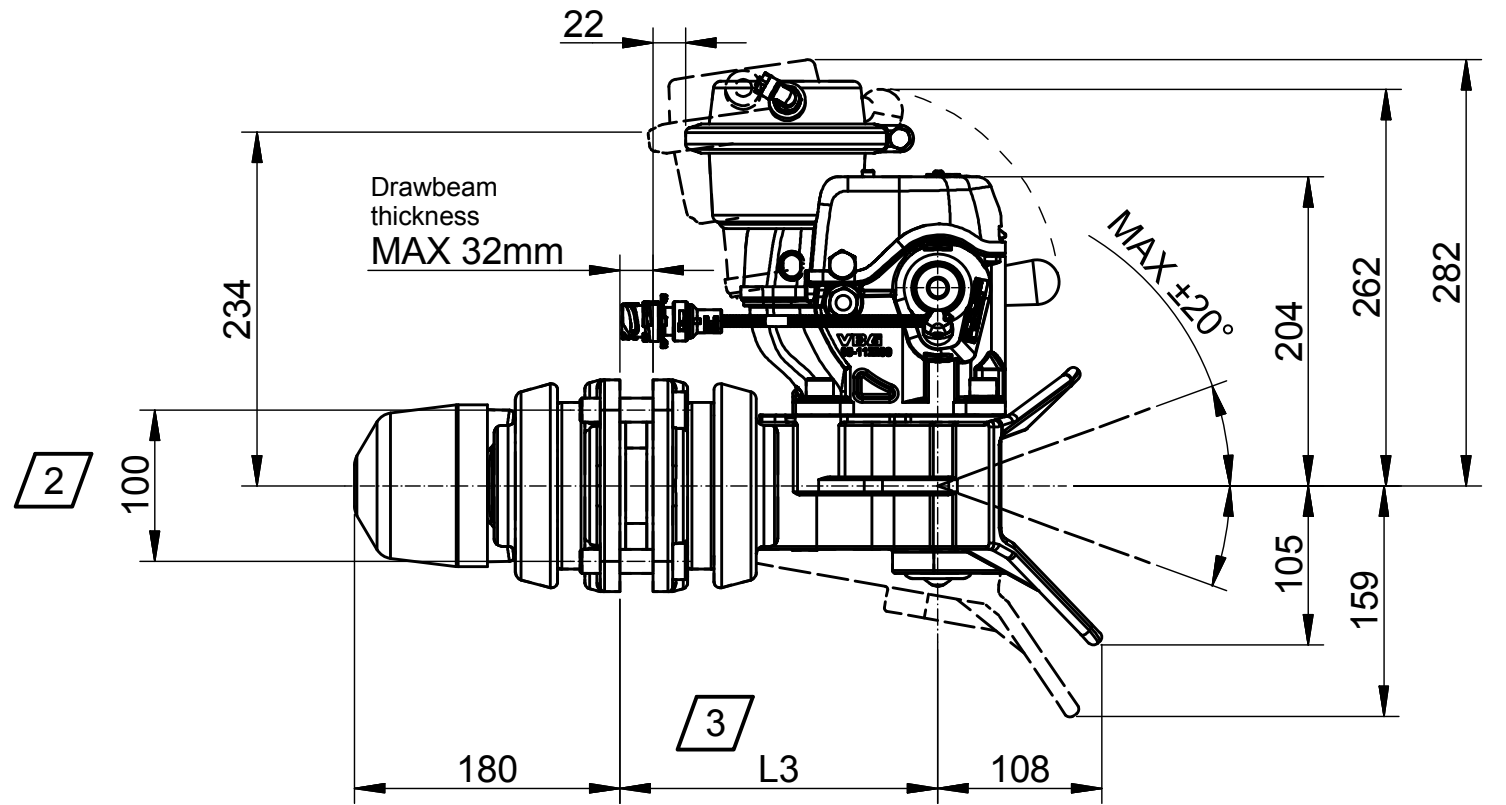
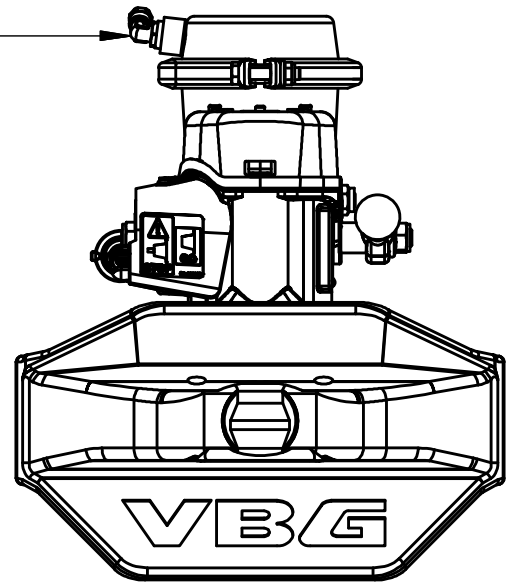


**Operation alternatives:**

1. Valve box
2. C-connector
3. Palm connector
4. Duomatic connector



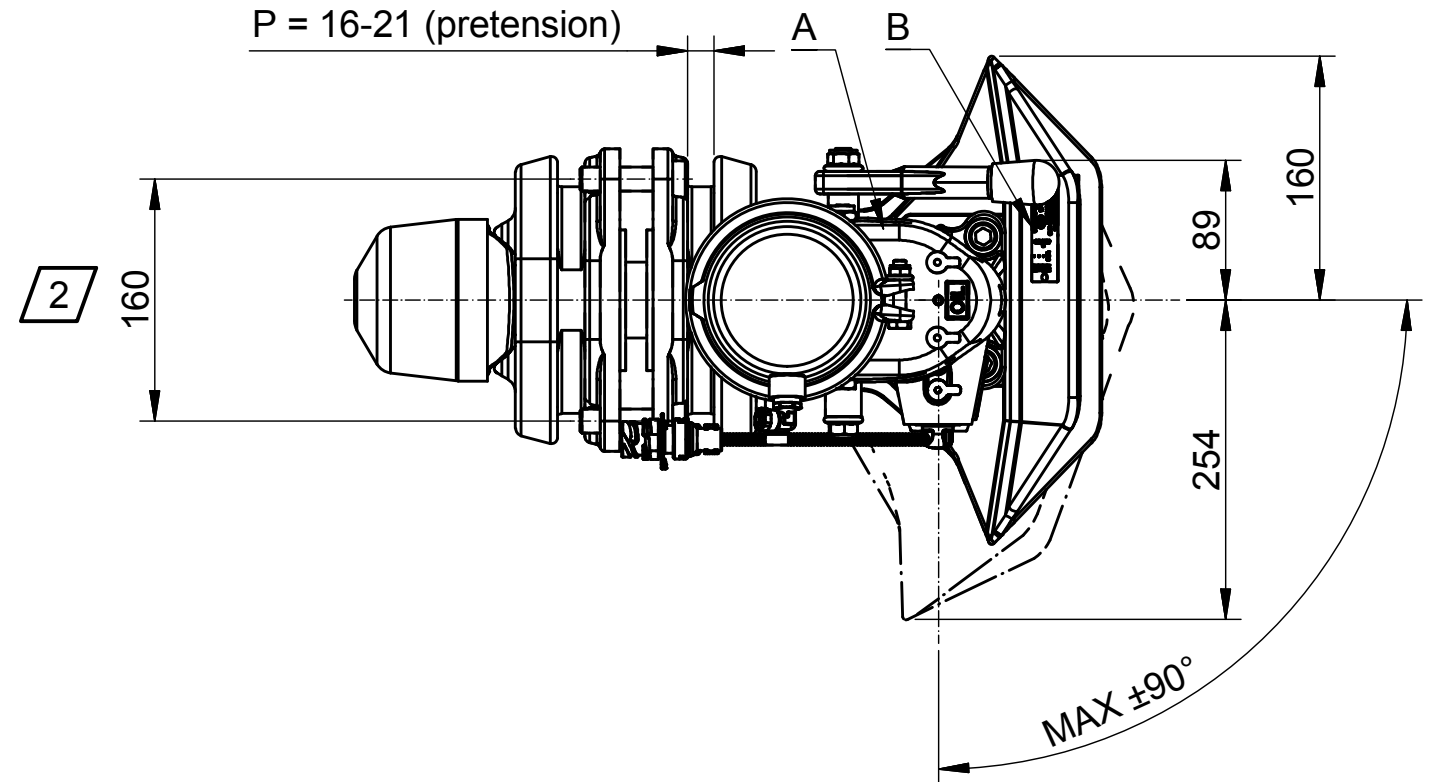
**3** Coupling center distance "L3" depends on pretension and drawbeam thickness (see table)

Drawbeam thickness	L3	
	P=16	P=21
16	204	209
20	208	213
22	210	215
28	216	221
30	218	223
32	220	225

**2** Mounting dimensions acc. to ISO 3584:2001, category 5-7.

**1** Measures for information only, tolerance ±10mm.

P = 16-21 (pretension)



**VBG**  
 TYPE 8040  
 PART 09-1838  
 NO. NO. YEAR/WEEK

VBG GROUP TRUCK EQUIPMENT AB

**VBG** VBG Group AB, Sweden  
 Type: 8040 AM Part: 09-1243  
 No: XXXXXX XX/XX  
 Class: S **E4**  
 Approval: 55R-01 0066

D	136	kN
Dc	-	kN
S	-	kg
V	-	kN

**EXTERNAL DISTRIBUTION**



**VBG GROUP**

Description  
 Coupling VBG 8040 AM  
 Koppling VBG 8040 AM

Modified Date	Modified by	Modification No.	Issue
2016-01-19	HB	12613	f
3D Model No.	Engineer	Checked by	
09-124300	KP		
Sheet Size	Scale	Projection	Drafting Date
A3	1:5		2006-04-09
Stage	Drawing No.	Drafted by	
P	09-124350 (F) INFO	HB	

This drawing is the property of VBG Group AB and is protected in accordance with prevailing law. Changes must be made in CAD-program, this concerns both 2D & 3D.