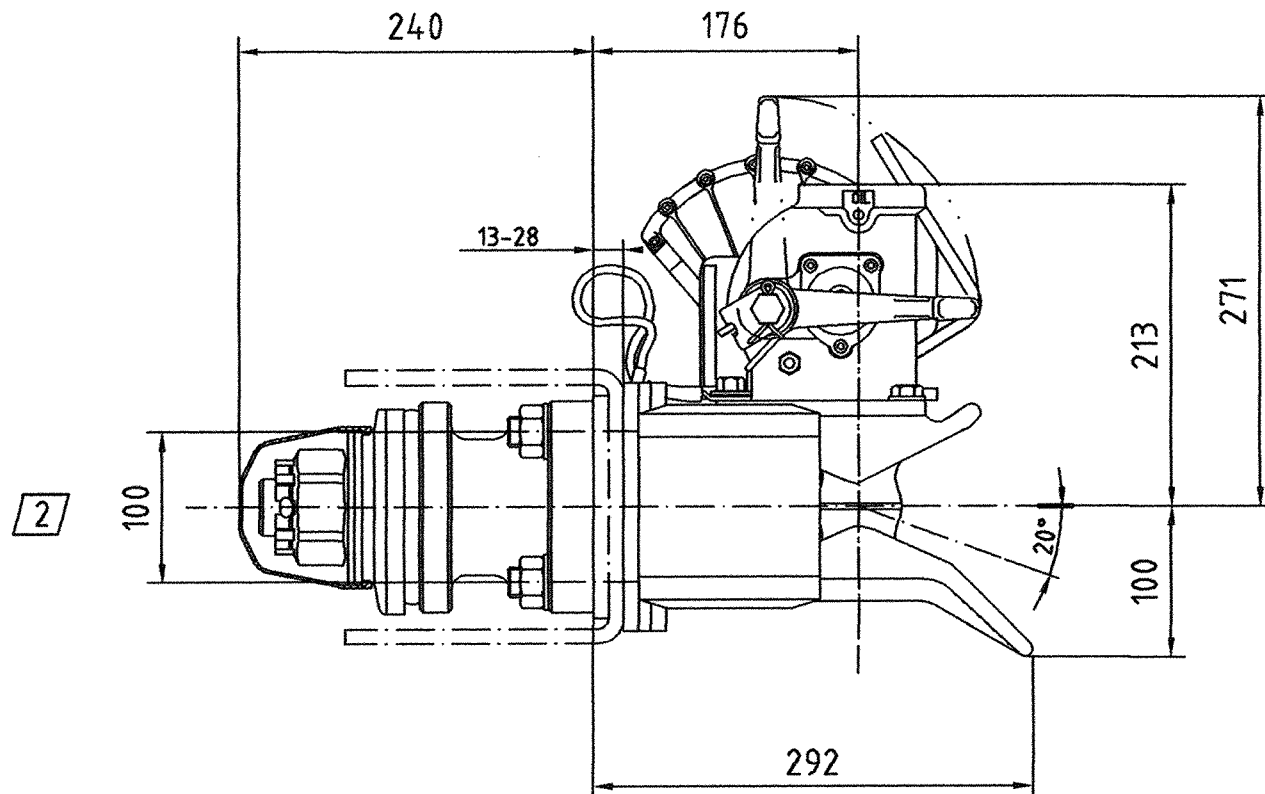
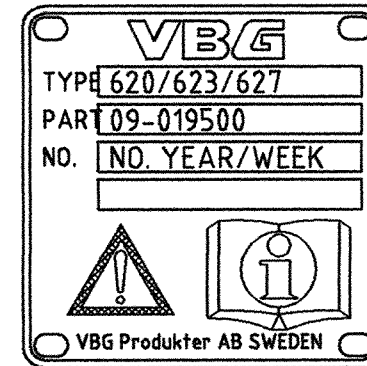


Denna ritning är VBG PRODUKTERS egendom och är skyddad enligt lag.
This drawing is the property of VBG PRODUKTER and is protected in accordance with prevailing law.

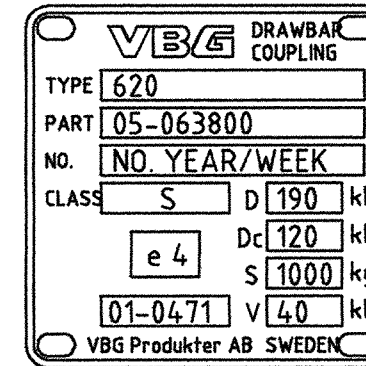
| ÄM nr. | Utg. | Ändring Modification | Datum Date | Inf. | Godk. Checked |
|--------|------|-------------------------|---------------|------|------------------|
| 7446 | a | SE AM | 000105 | HE | EL |
| 7546 | b | SE AM | 000620 | KP | |



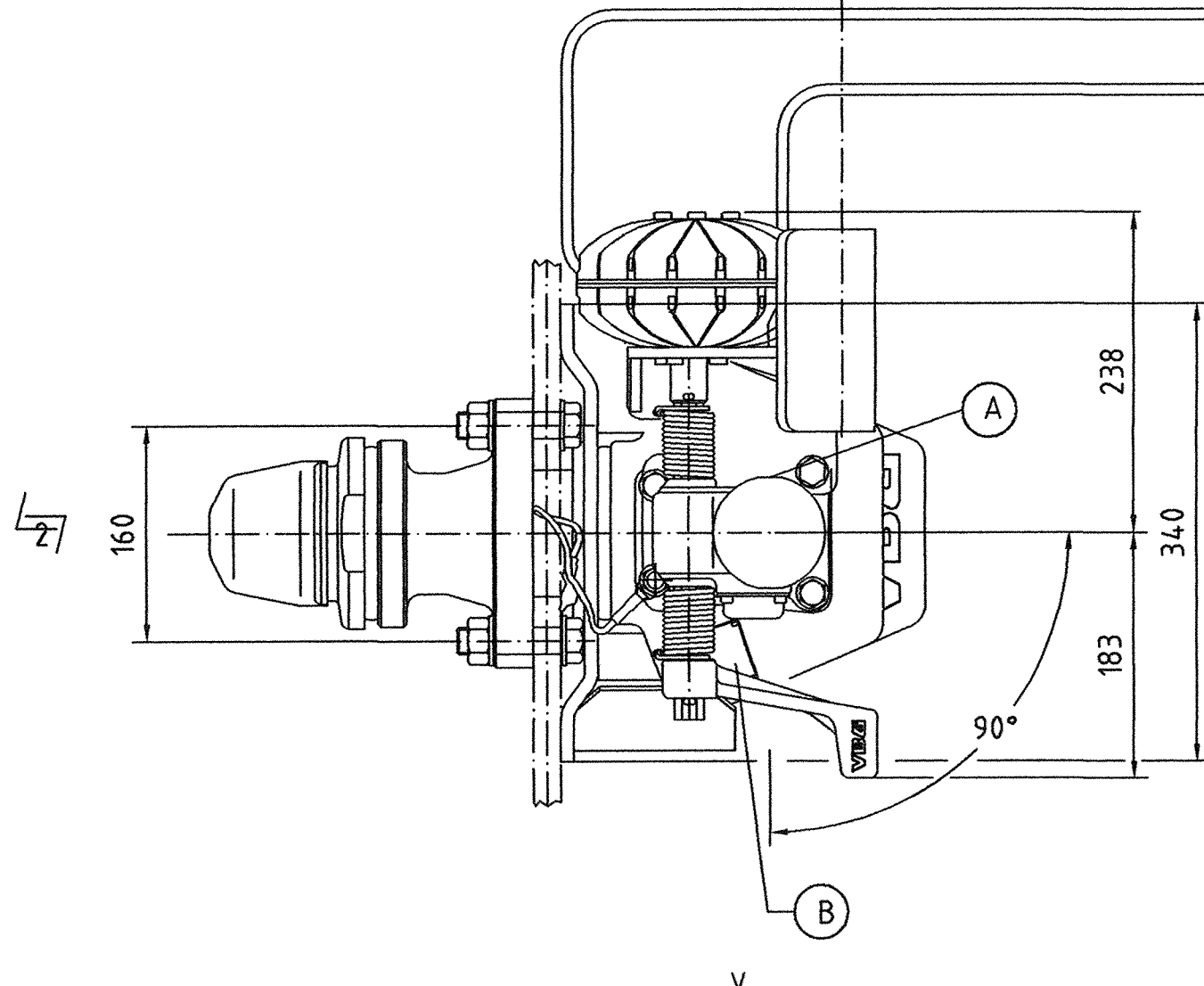
(A)



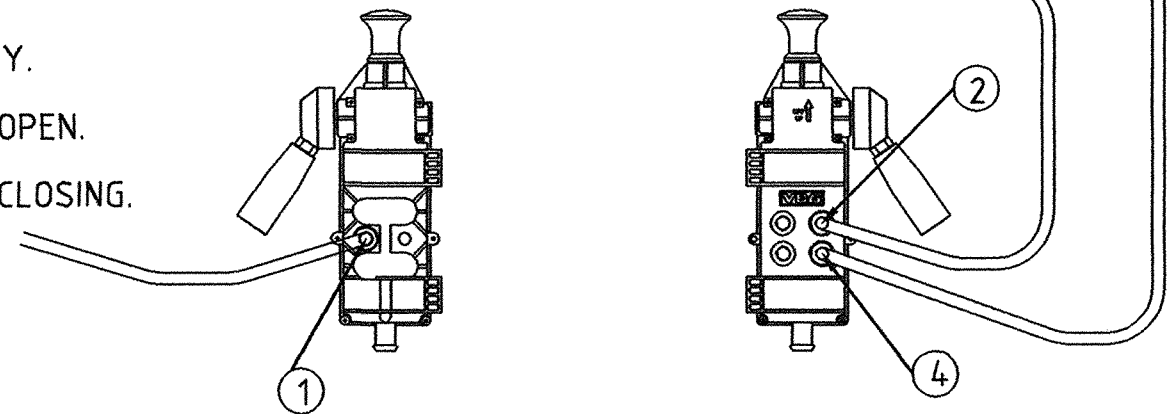
(B)



NOTE 1: MOUNTING DIMENSIONS: ISO 3584 CATEGORY 3
NOTE 2: MEASURES FOR INFORMATION ONLY. DO NOT SCALE.
ACTUATOR MOUNTING BRACKET AVAILABLE FOR RIGHT-HANDED OR LEFT-HANDED MOUNTING



- ① AIR SUPPLY.
- ② COUPLING OPEN.
- ④ COUPLING CLOSING.



| Måttoleranser / Size tolerances | | VBG VBG PRODUKTER AB (publ) BOX 1216 S-462 28 VÄNERSBORG SWEDEN | | |
|---------------------------------------|---------------------------------------|---|----------------------|------------------------|
| Bearb. ytor / Machined surface | icke bearb. ytor / Unmachined surface | Kvalitet / Quality | | |
| Ytjämnhet / Surface texture | Ytbehandlad / Surface treated | | | |
| Ämne / Material | Slag / Type | | | |
| Benämning / Title | | Konstr. / Designer | Ritad / Drafted | Godk. / Checked |
| COUPLING VBG 620 RB POWER ACTUATOR | | HE | HE | |
| | | Proj. | Skala / Scale 1:5 | Datum / Date 000105 |
| Skede P | Ritn. nr / Drawing No 38-130000 | Utg. b | | |