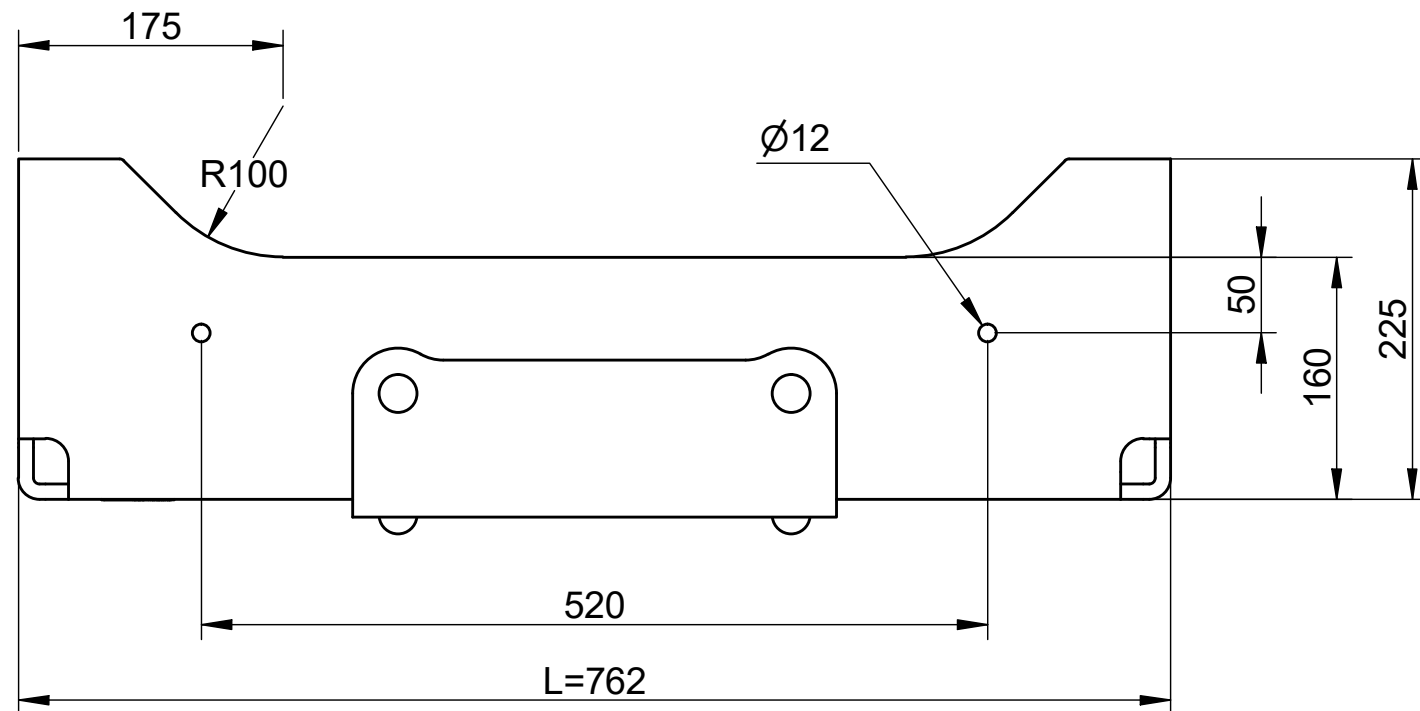
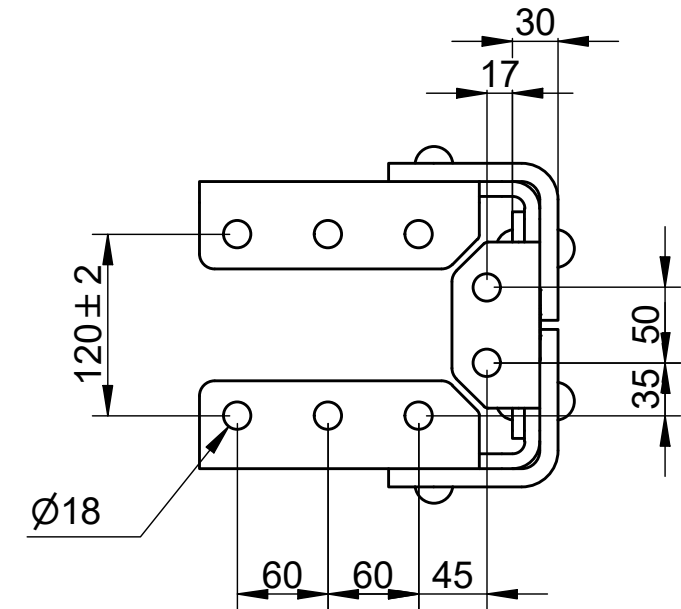
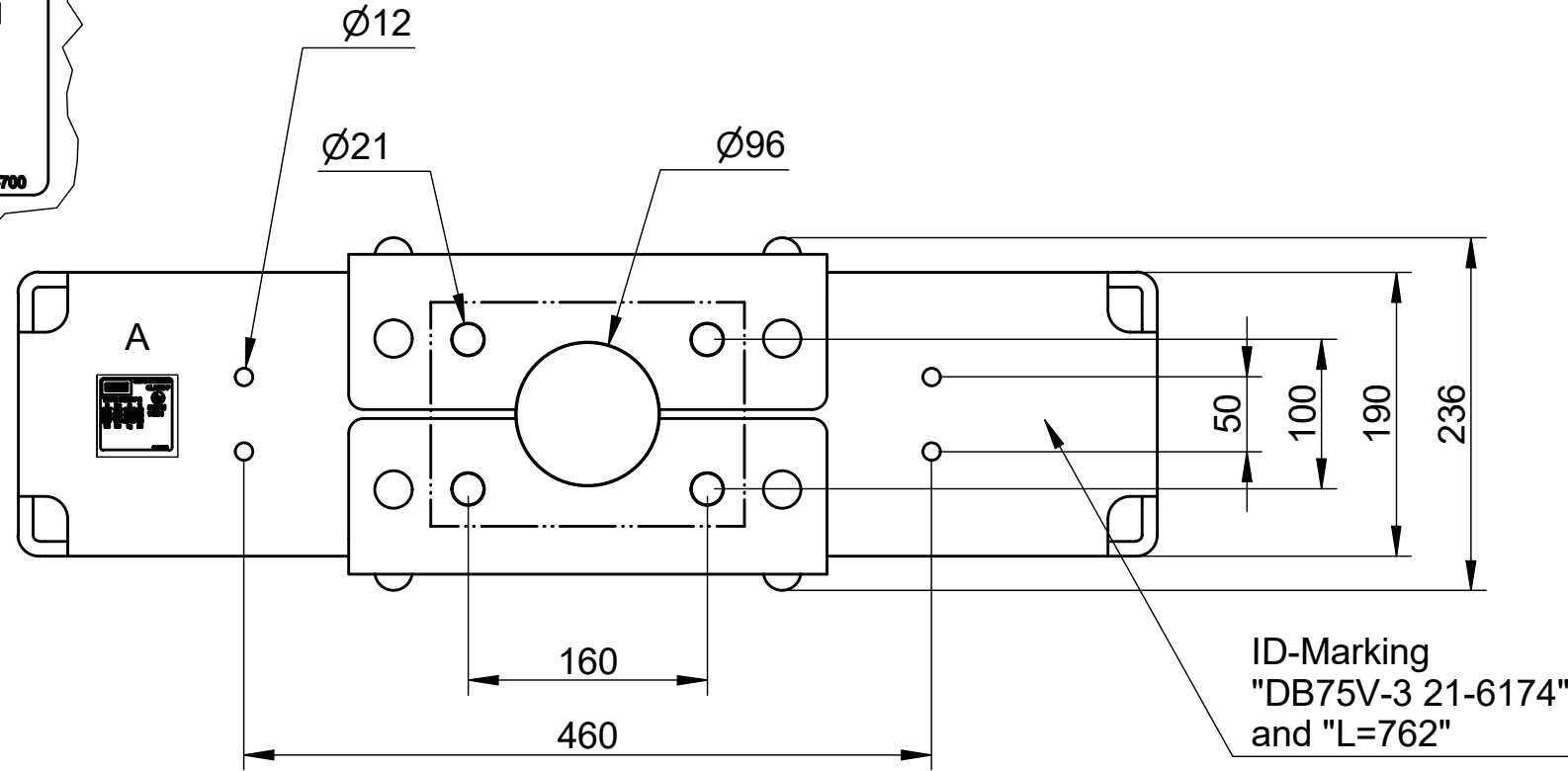


A (1:1)

Order No. X00000000X  
**VBG** CLASS F  
**TYPE DB75V-3** (E11)  
 D Dc S V 55R-01  
 247 150 1000 80 11081  
 247 200 1000 35  
 247 150 2000 63  
 kN kN kg kN  
 38-315700



**VBG GROUP**

Description  
 DB75V-3, L=762

Modified Date	2019-10-01	Modified by	PA	Modification No.	13351	Issue	C		
3D Model No.	21-624300					Engineer	SJ		
Sheet Size	A3	Scale	1:5	Projection		Drafting Date	2017-03-27		
Stage	P	Drawing No.	21-624300 (F) INFO					Drafted by	SJ
<small>This drawing is the property of VBG Group AB and is protected in accordance with prevailing law. Changes must be made in CAD-program, this concerns both 2D &amp; 3D.</small>									