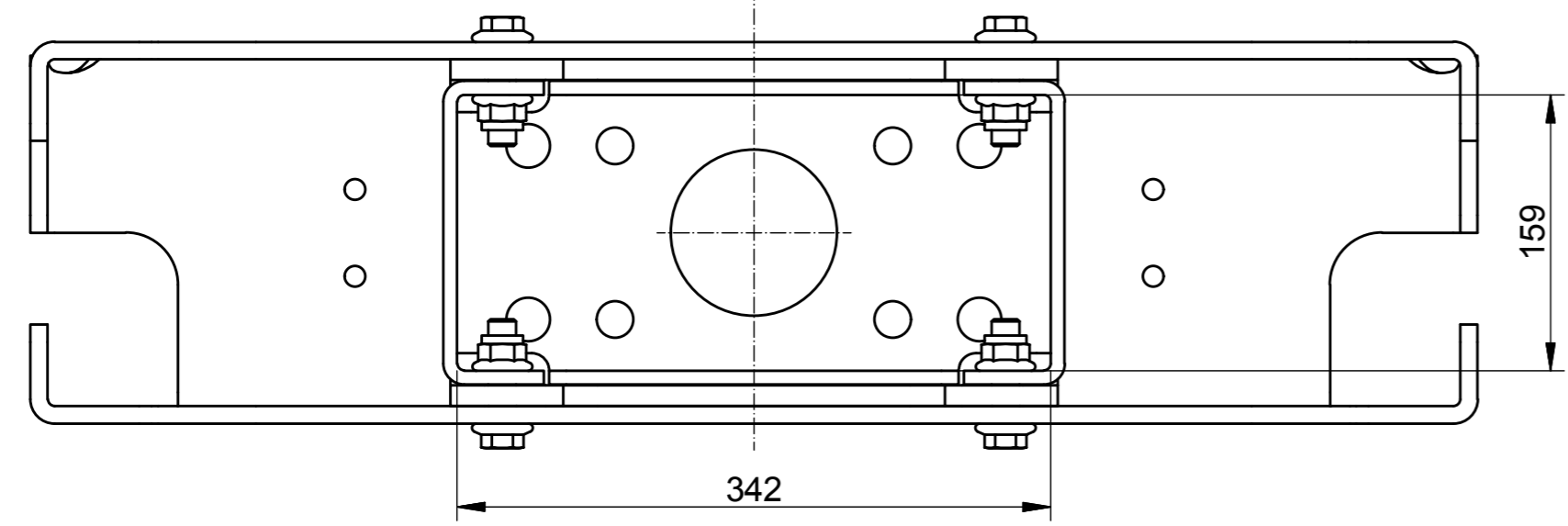
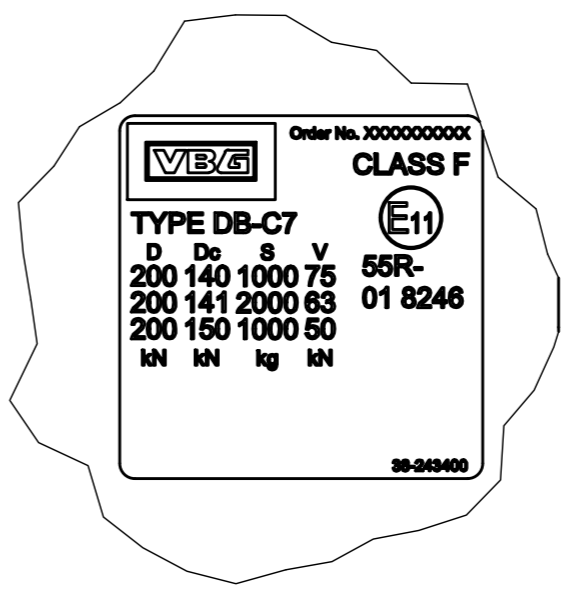


A (1:1)



1 Measure for information only

<b>VBG GROUP</b>	Modified Date	2016-06-20	Modified by	sj	Modification No.	12718	Issue	b	
	3D Model No.	20-112300			Engineer	SJ	Checked by		
	Sheet Size	A2	Scale	1:4	Projection		Drafting Date	2014-05-27	
	Stage	P	Drawing No.	20-112300 (F) INFO					Drafted by
<small>This drawing is the property of VBG Group AB and is protected in accordance with prevailing law. Changes must be made in CAD-program, this concerns both 2D &amp; 3D.</small>									