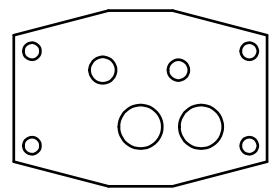
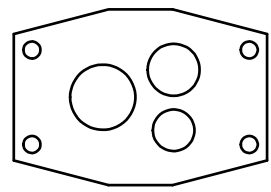


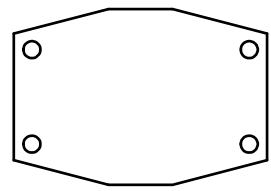
Bracket for Power Plug 14-17, Power Plug 14-17 ADR, ABS, 15N, 7N, 7S, Charger plug
Hållare för elkontakt 14-17, elkontakt 14-17 ADR, ABS, 15N, 7N, 7S, Laddkontakt



Bracket for Duomatic, Palm-coupling
Hållare för Duomatic, Palm-koppling

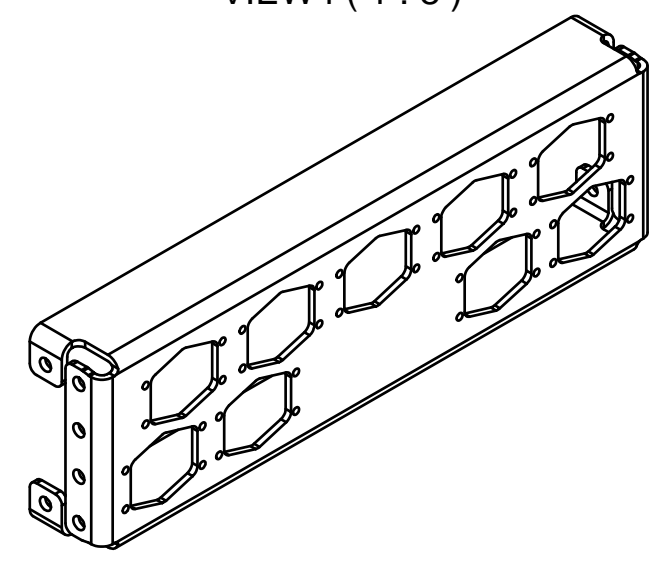




Bracket for Hydraulic Plug (1/2", 3/4", 1")
Hållare för hydraulkontakt (1/2", 3/4", 1")



Covering plate
Täckbricka

VIEW4 (1 : 8)



 Information drawing	Modified Date	Modified by	Modification No.	Issue	
	2009-04-20	SN	10215	a	
	3D Model No.	Engineer		Checked by	
	21-178500	SN			
Description	Sheet Size	Scale	Projection	Drafting Date	Drafted by
Endclosing member Volvo Monteringsbalk Volvo	A3	1:4		2009-04-24	SN
	Stage	Drawing No.			
	P	38-188900			
<small>This drawing is the property of VBG Group AB and is protected in accordance with prevailing law. Changes must be made in CAD-program, this concerns both 2D & 3D.</small>					