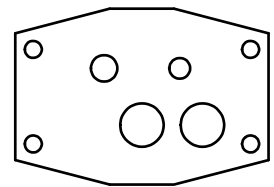
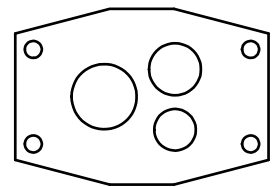


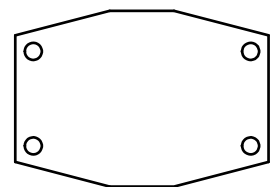
Bracket for Power Plug 14-17, Power Plug 14-17 ADR, ABS, 15N, 7N, 7S, Charger plug
Hållare för elkontakt 14-17, elkontakt 14-17 ADR, ABS, 15N, 7N, 7S, Laddkontakt



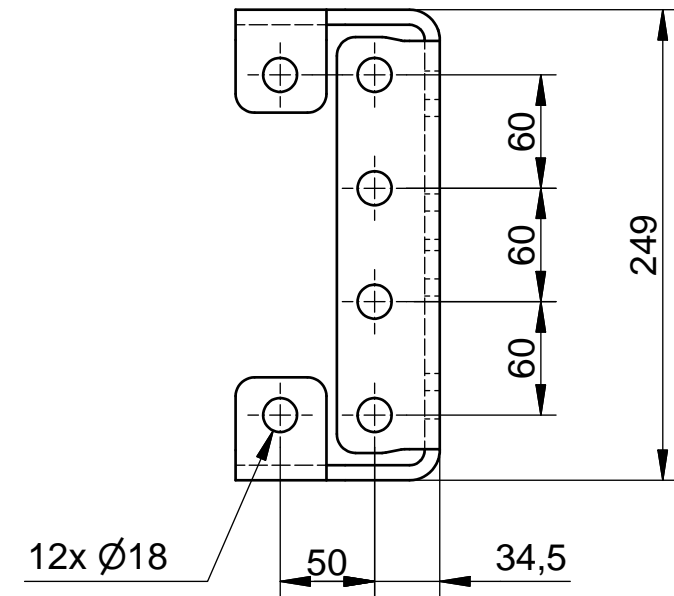
Bracket for Duomatic, Palm-coupling
Hållare för Duomatic, Palm-koppling



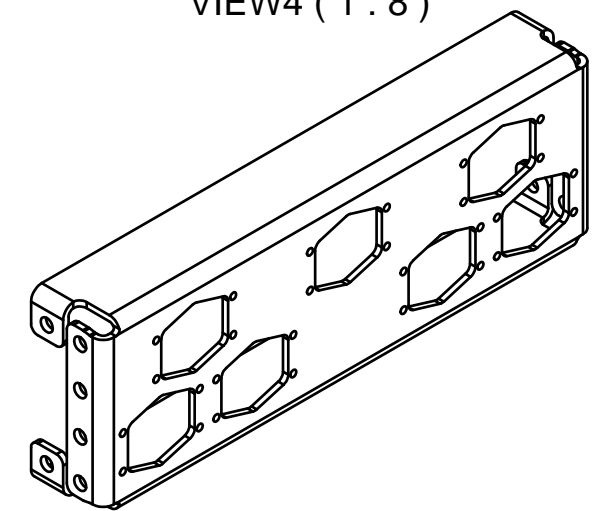
Bracket for Hydraulic Plug (1/2", 3/4", 1")
Hållare för hydraulkontakt (1/2", 3/4", 1")



Covering plate/
Täckbricka



VIEW4 (1 : 8)



Information drawing Description Endclosing member Scania Monteringsbalk Scania	Modified Date 2009-04-27	Modified by SN	Modification No. 10215	Issue a	
	3D Model No. 21-178600			Engineer SN	Checked by
	Sheet Size A3	Scale 1:4	Projection 	Drafting Date 2009-04-27	Drafted by SN
	Stage P	Drawing No. 38-189000			
<small>This drawing is the property of VBG Group AB and is protected in accordance with prevailing law. Changes must be made in CAD-program, this concerns both 2D & 3D.</small>					