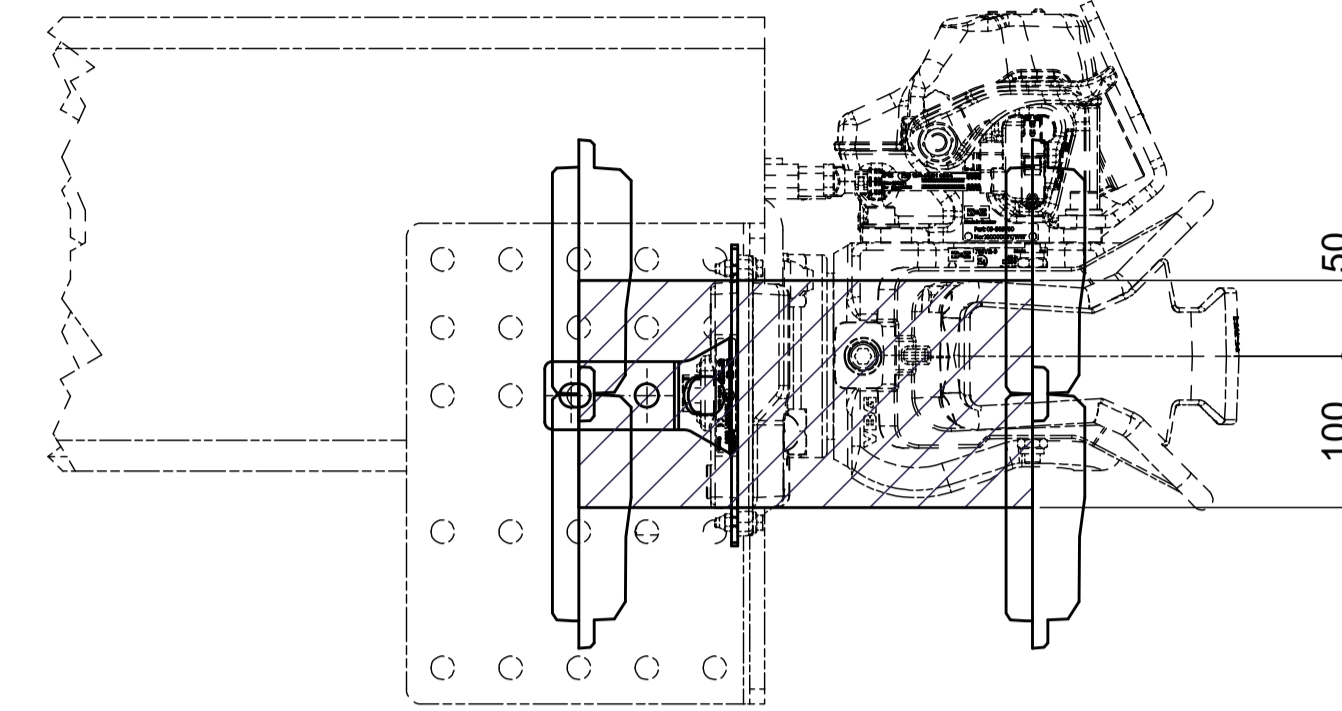
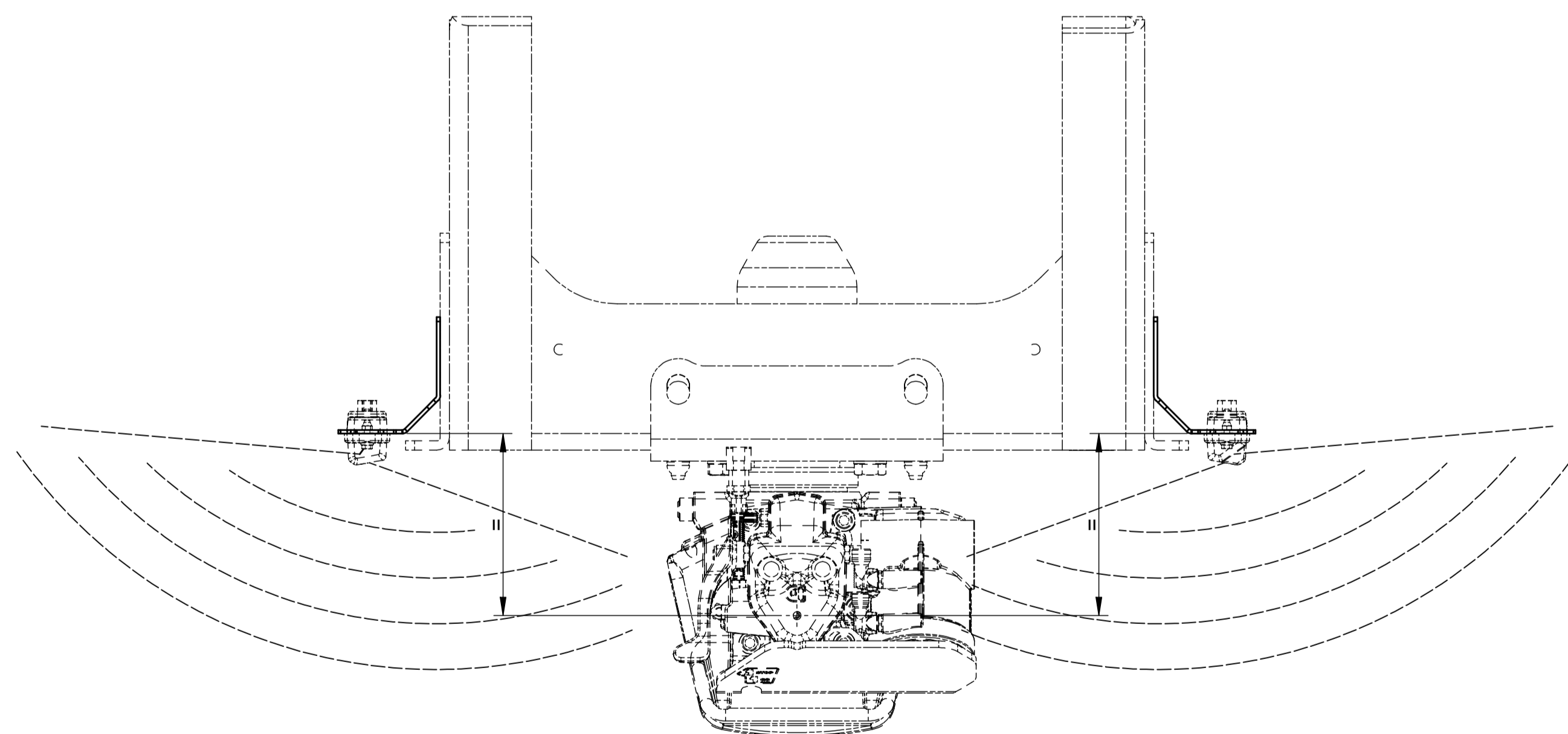
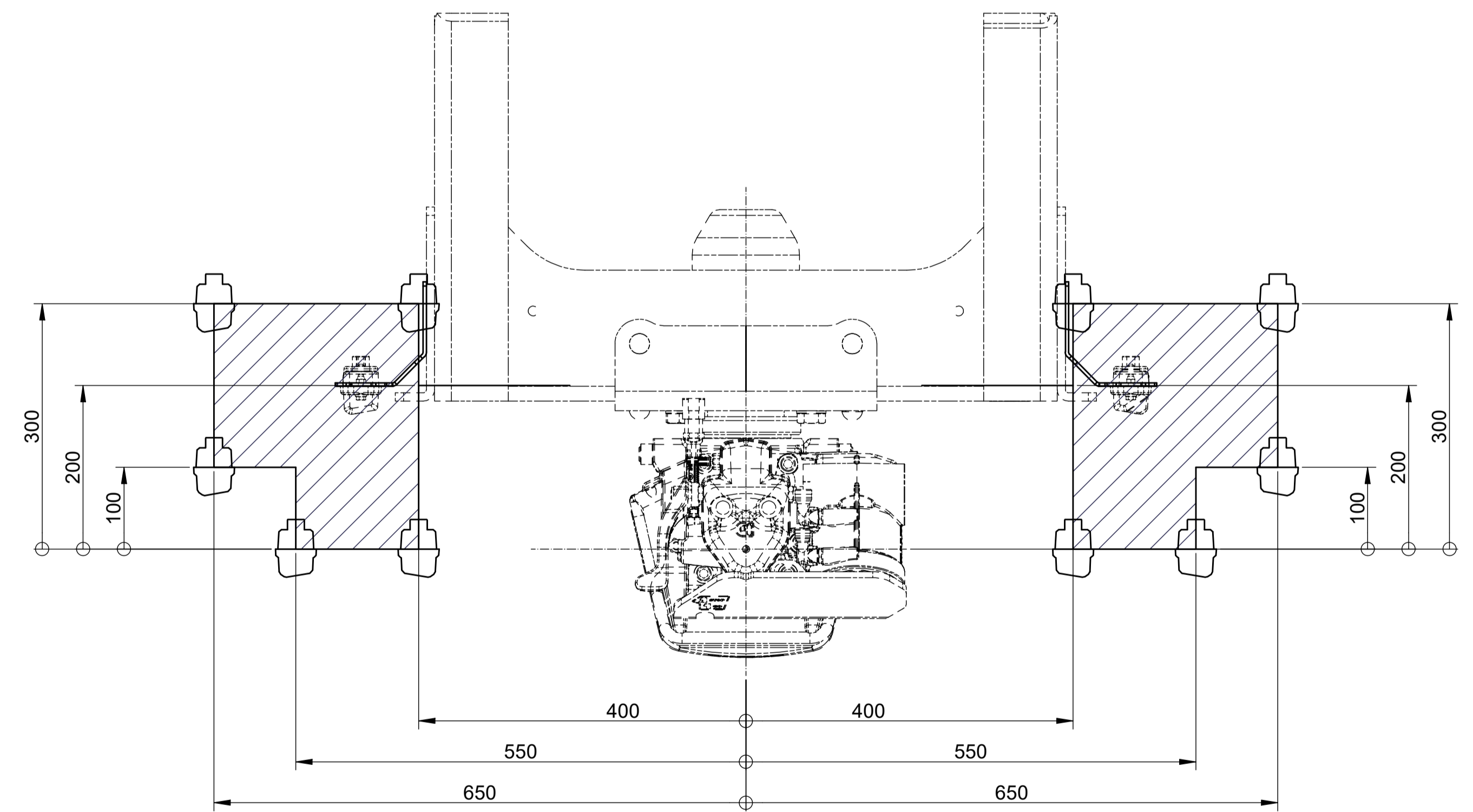


The dashed area represents the area which the DSM can be mounted within



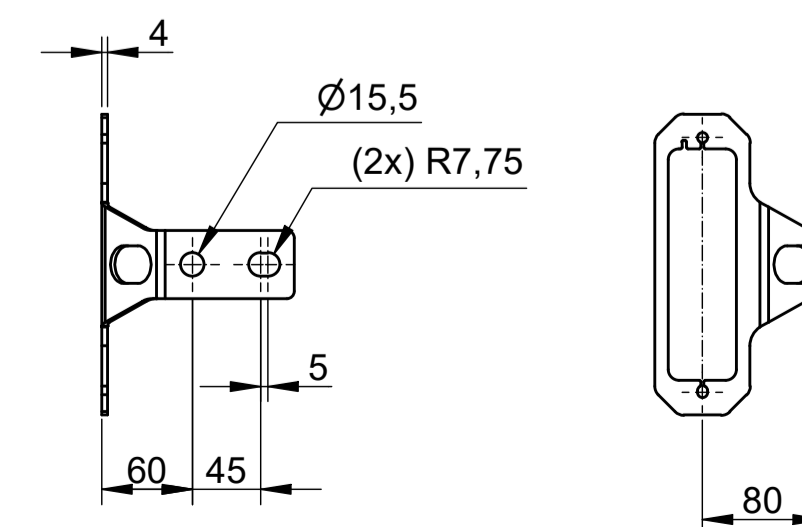
The dashed area represents the area which the DSM can be mounted within



Area to be free from obstacles

Area to be free from obstacles

DSM Bracket (LH)



Fastening torques according to mounting instruction

| | | | | | |
|--|-------------|-----------------------------|--------------|------------------|-------|
| | | Modified Date | Modified by | Modification No. | Issue |
| | | 2023-11-29 | JL | 14136 | b |
| VBG GROUP | | 3D Model No. | Engineer | | |
| DSM Bracket set - M14 | | 28-119900 | JL | | |
| Sheet Size | Scale | Revision | Drawing Date | Drawn by | |
| A1 | 1 : 5 | 1 | 2022-02-01 | JL | |
| Stage | Drawing No. | P 28-119900 (F) INFO | | | |
| <small>This drawing is the property of VBG Group AB and is protected in accordance with prevailing law. Changes must be made in CAD program, this concerns both 2D & 3D.</small> | | | | | |

Released