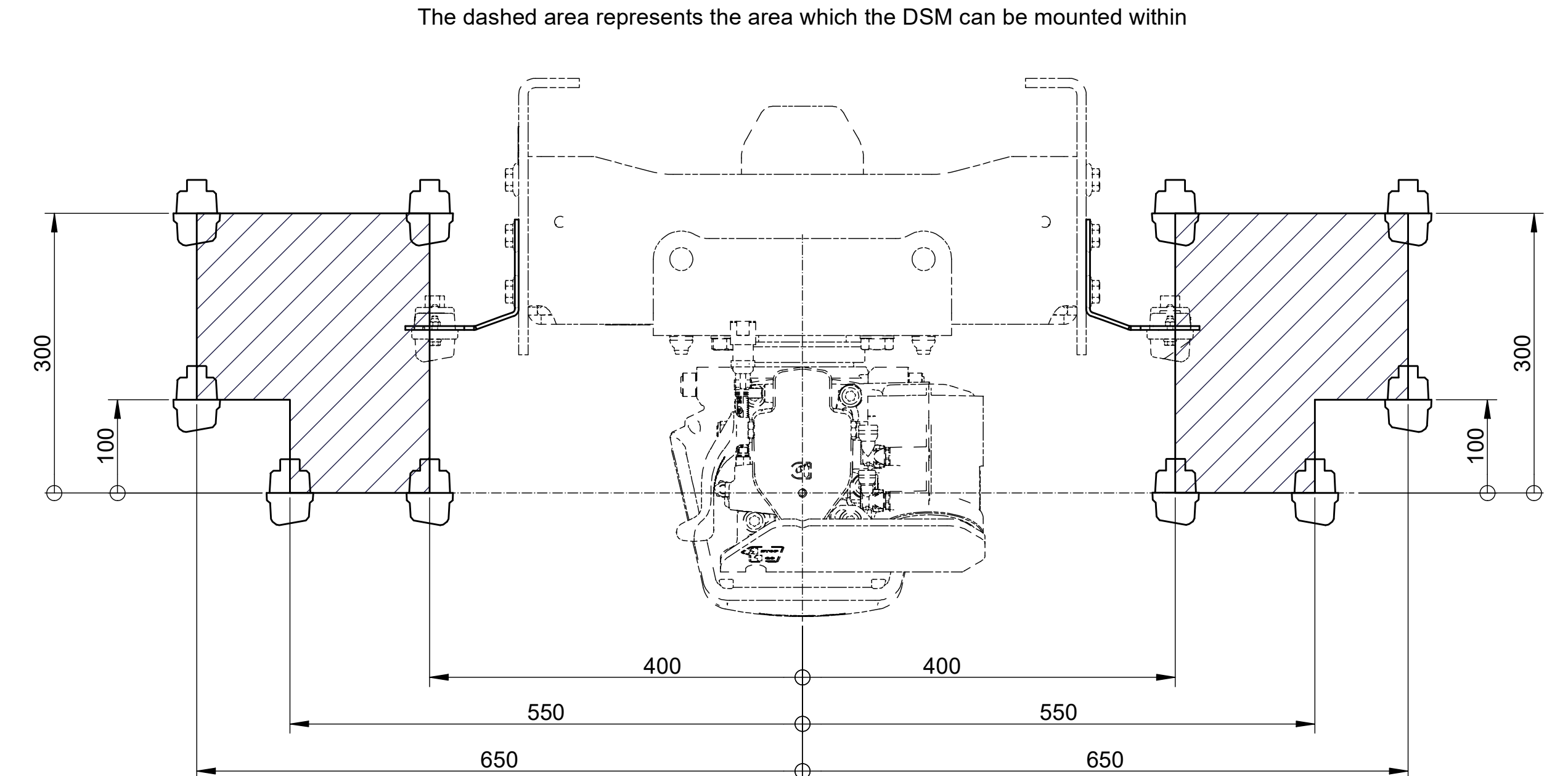


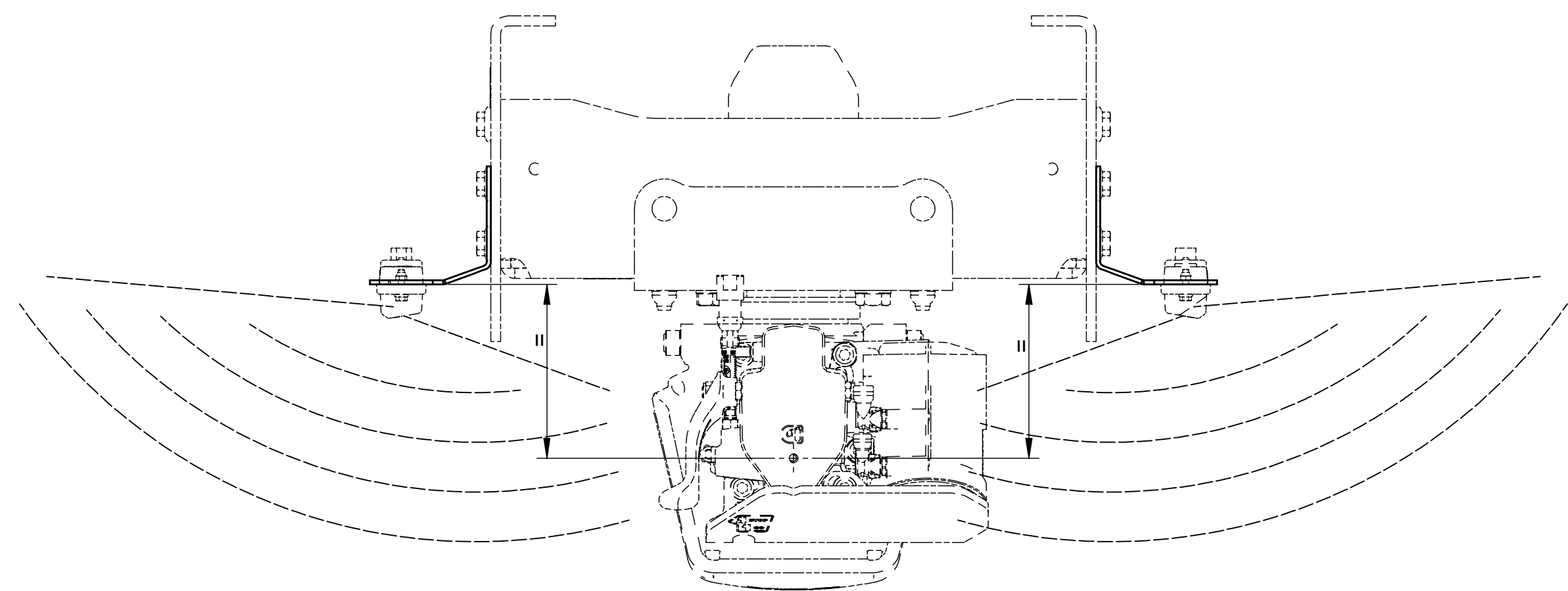
The dashed area represents the area which the DSM can be mounted within

B-B ( 1:5 )



The dashed area represents the area which the DSM can be mounted within

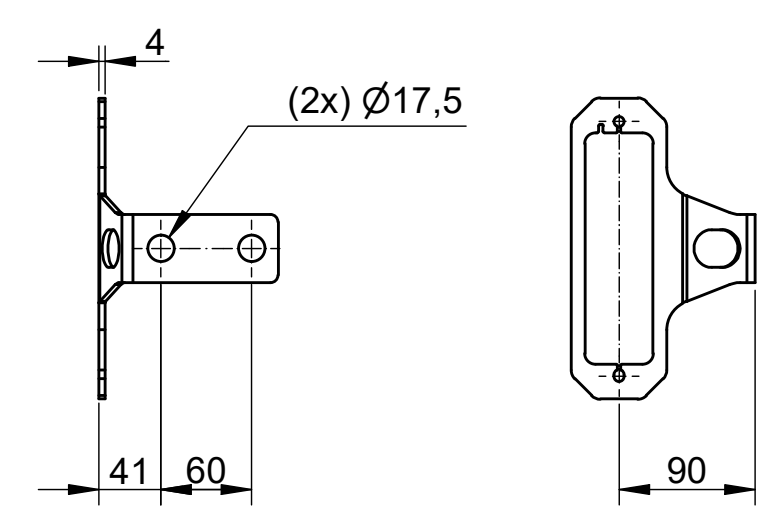
A-A ( 1:5 )



Area to be free from obstacles

Area to be free from obstacles

DSM Bracket (LH)



Fastening torques according to mounting instruction

		Modified Date	Modified by	Modification No.	Issue
		2023-11-29	JL	14136	b
<b>VBG GROUP</b>		3D Model No.	Engineer		
DSM Bracket set - M16 EDHZ, CMS Trailer		28-120100	JL		
Stage	Drawing No.	Revision	Drawing Date	Checked by	
A1	P 28-120100 (F) INFO	1:5	2021-12-21	JL	
<small>This drawing is the property of VBG Group AB and is protected in accordance with prevailing law. Changes must be made in CAD program, this concerns both 2D &amp; 3D.</small>					