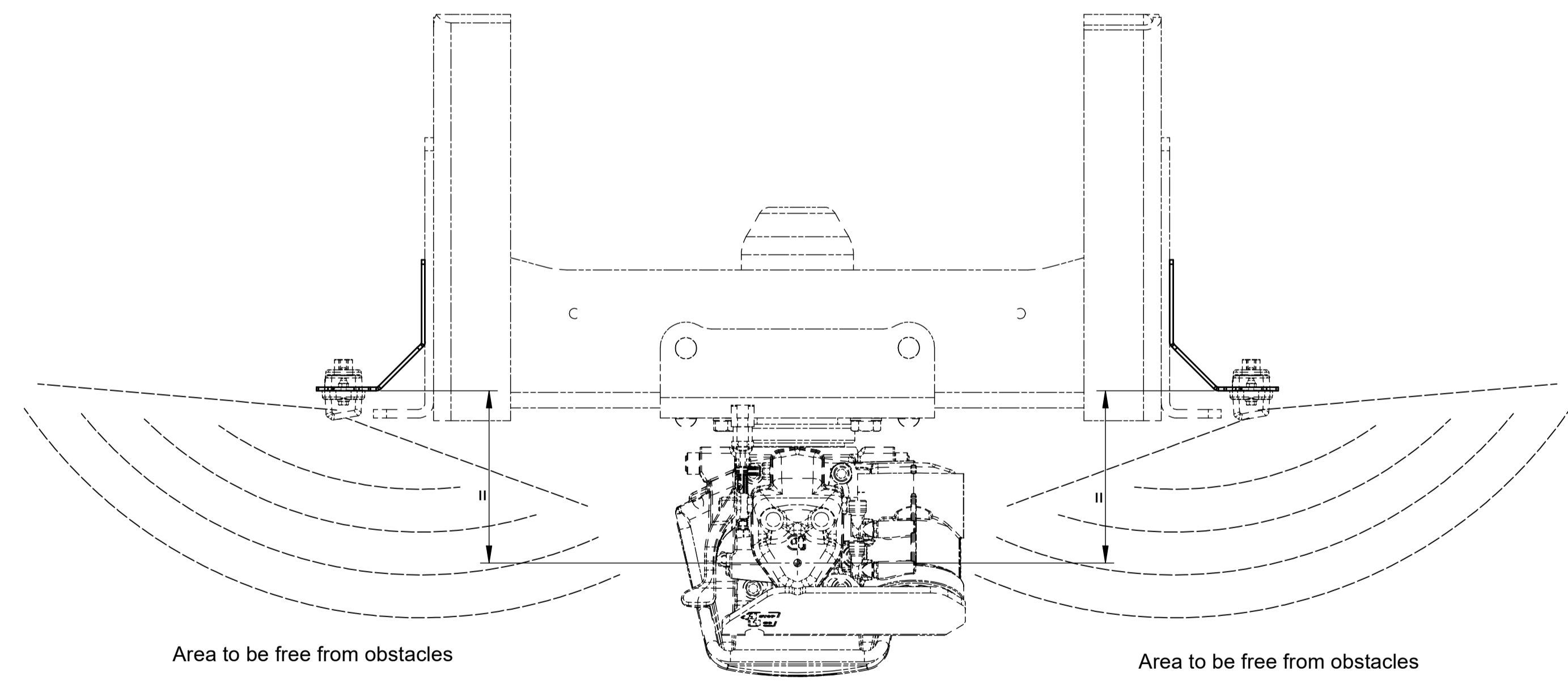
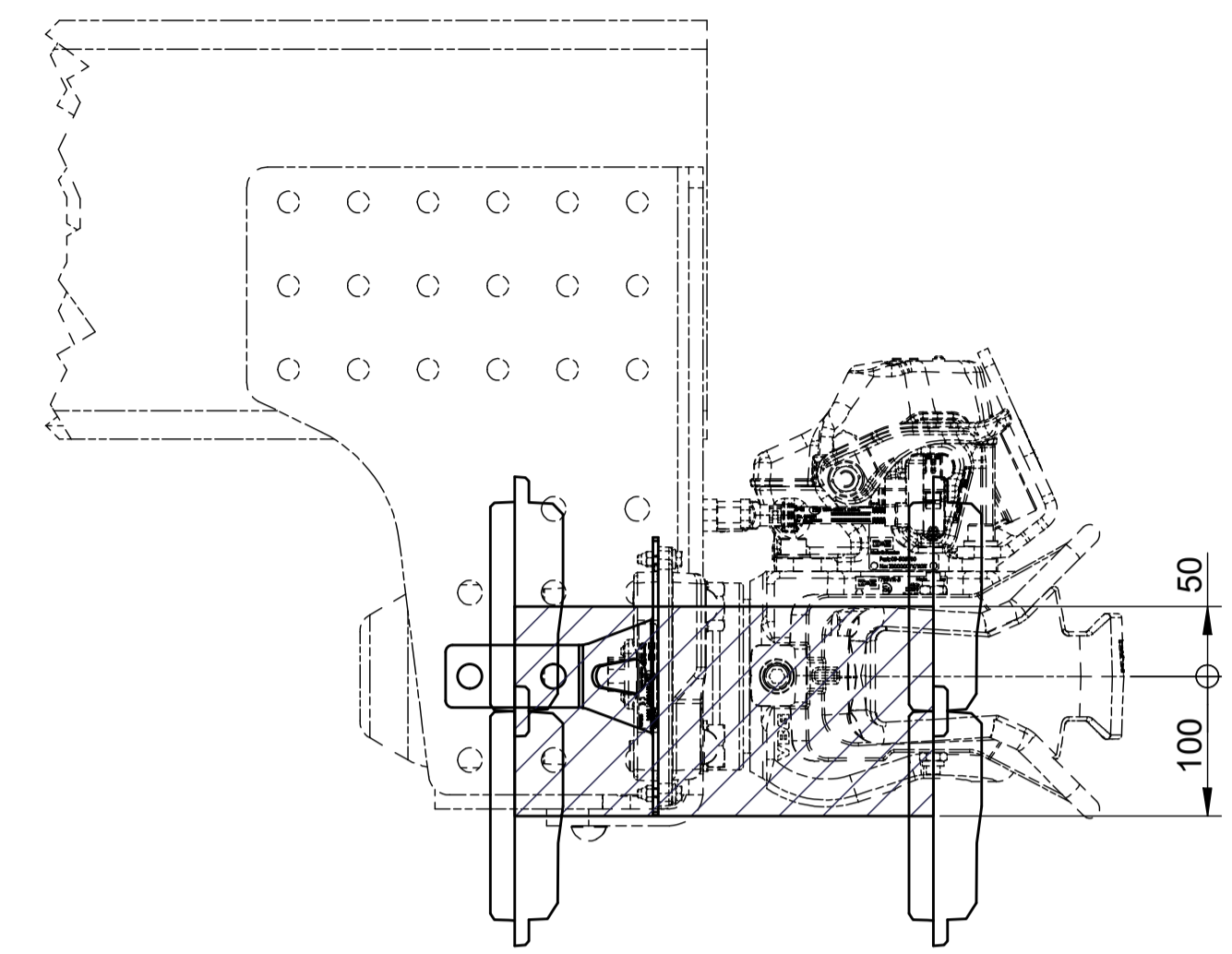
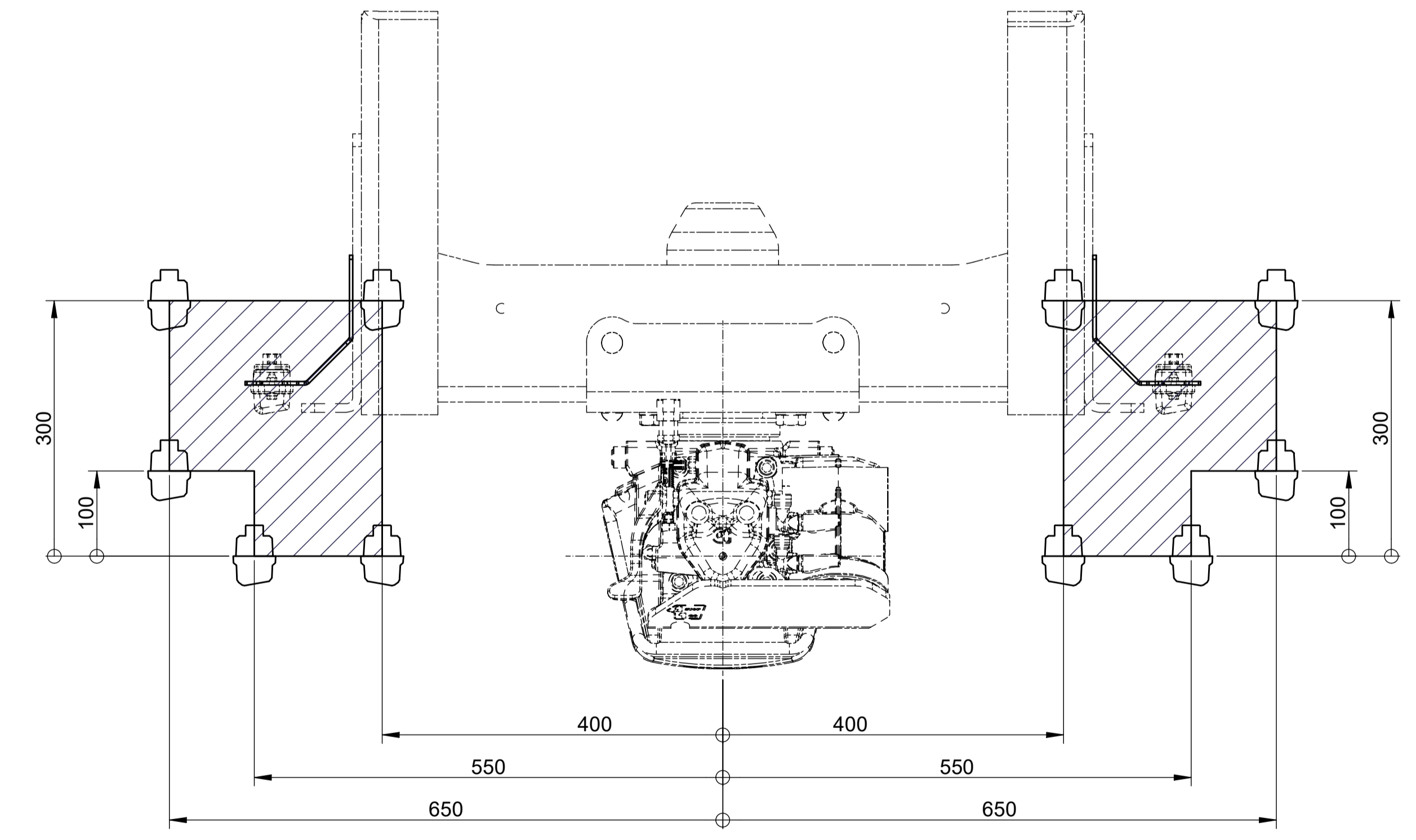


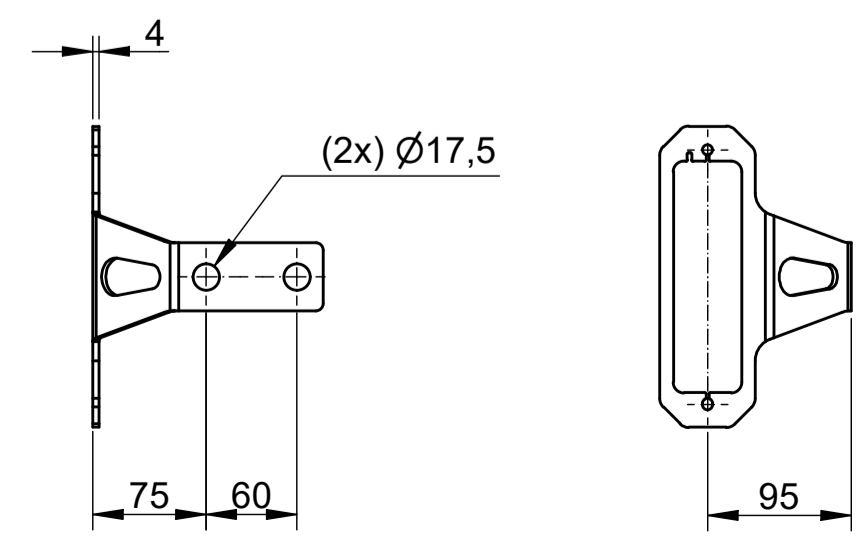
The dashed area represents the area which the DSM can be mounted within



The dashed area represents the area which the DSM can be mounted within



DSM Bracket (LH)



Fastening torques according to mounting instruction

|  |                    |               |              |                  |       |
|--|--------------------|---------------|--------------|------------------|-------|
|  |                    | Modified Date | Modified by  | Modification No. | Issue |
|  |                    | 2023-11-29    | JL           | 14136            | b     |
| <b>VBG GROUP</b>                                     |                    | 3D Model No.  | Engineer     |                  |       |
| DSM Bracket set - M16 End Plate with 60-70 mm flange |                    | 28-120200     | JL           |                  |       |
| Sheet No.  | Scale              | Revision      | Drawing Date | Checked by       |       |
| A1   | 1 : 5              | 1             | 2021-12-22   | JL               |       |
| Stage  | Drawing No.        |               |              |                  |       |
| P  | 28-120200 (F) INFO |               |              |                  |       |

Released