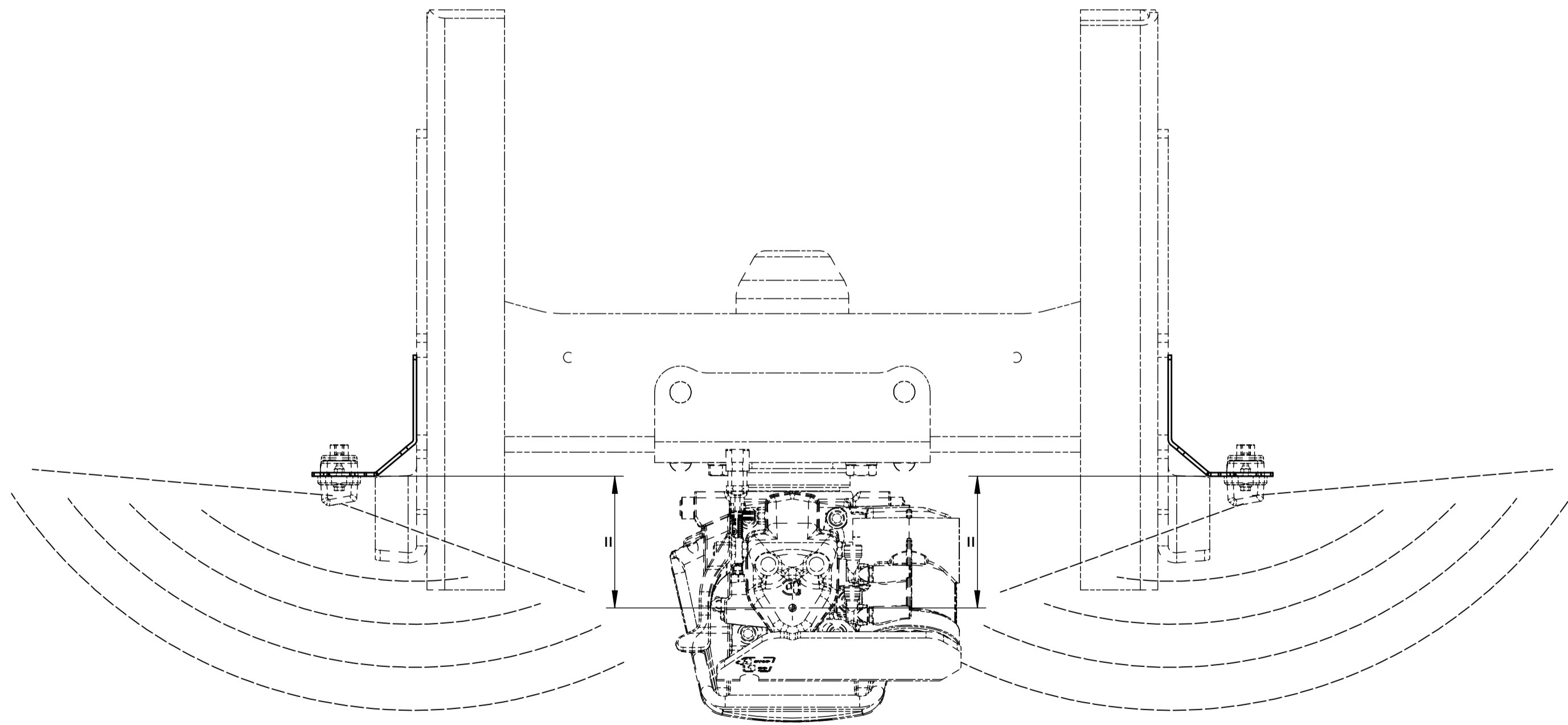
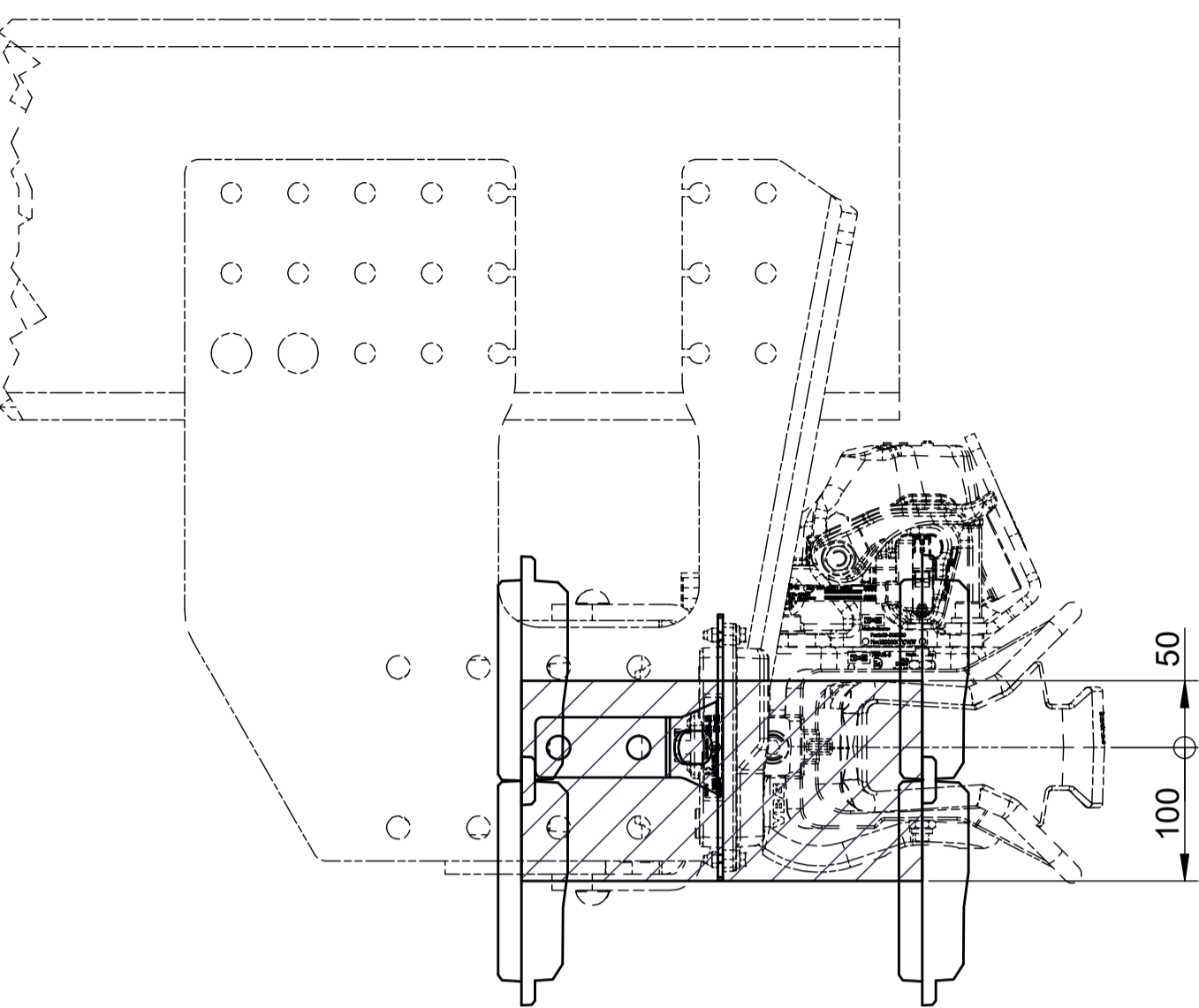


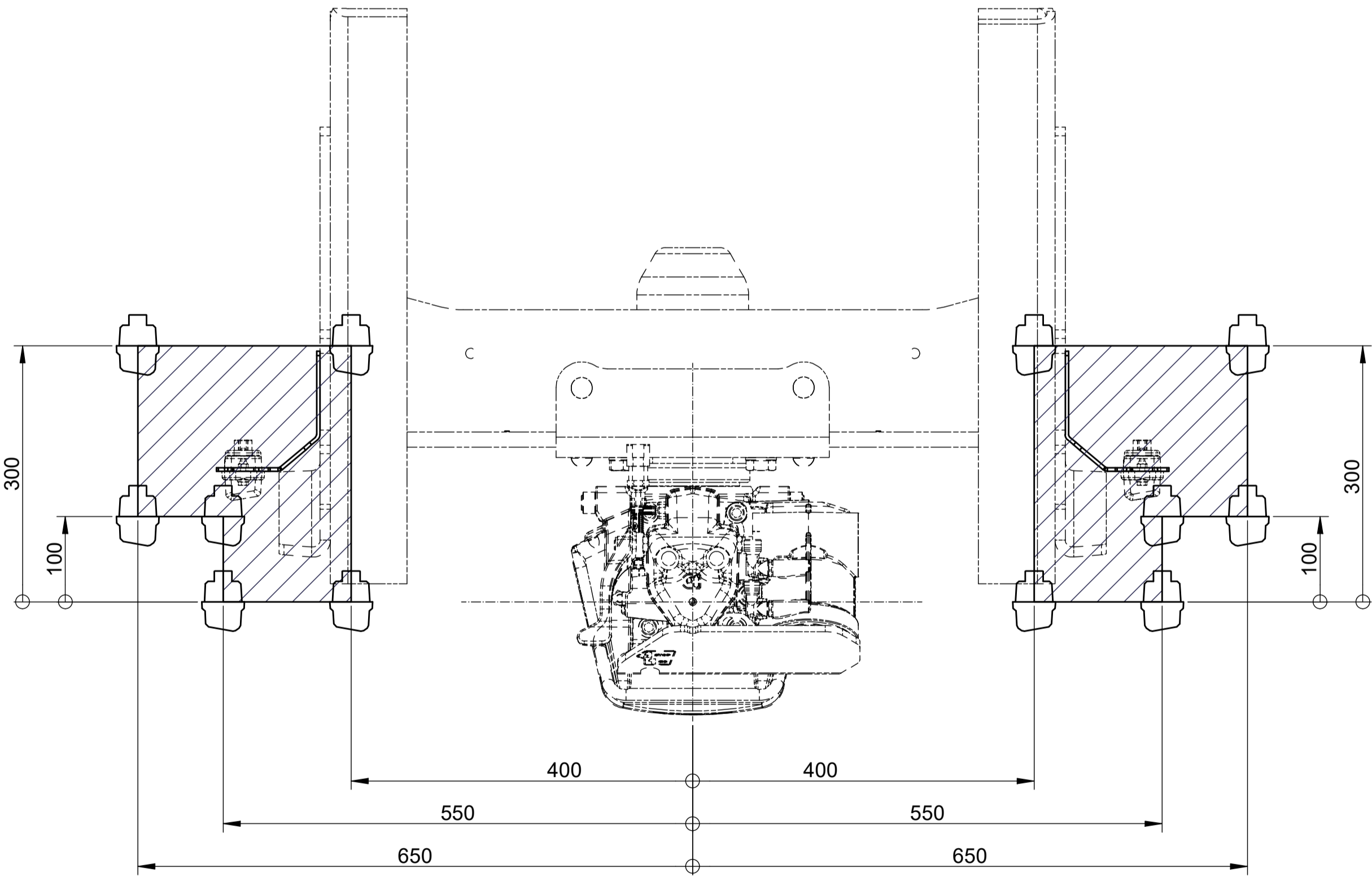
The dashed area represents the area which the DSM can be mounted within



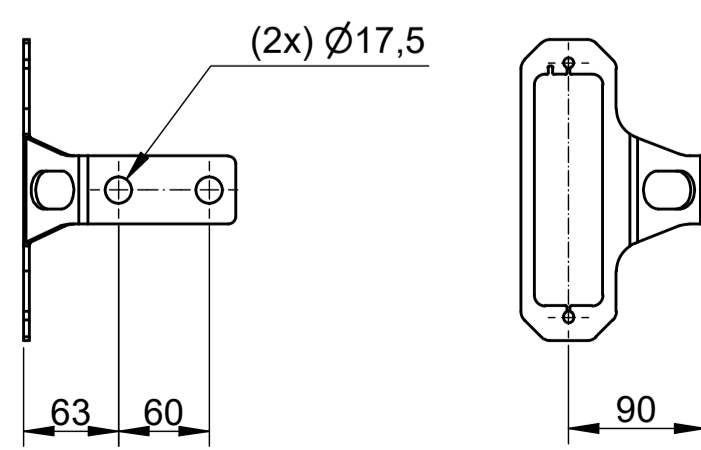
Area to be free from obstacles

Area to be free from obstacles

The dashed area represents the area which the DSM can be mounted within



DSM Bracket (LH)



Fastening torques according to mounting instruction

		Modified Date	Modified by	Modification No.	Issue
		2023-11-29	JL	14136	b
3D Model No.		28-120900			
Description		DSM Bracket set - M16 EDMS-2			
Sheet No.	Scale	Revision	Drawing Date	Checked by	
A1	1 : 5	1	2021-12-22	JL	
Stage	Drawing No.	P 28-120900 (F) INFO			
<small>This drawing is the property of VBG Group AB and is protected in accordance with prevailing law. Changes must be made in CAD program, this concerns both 2D &amp; 3D.</small>					

Released