

1 2 3 4 5 6

A

B

C

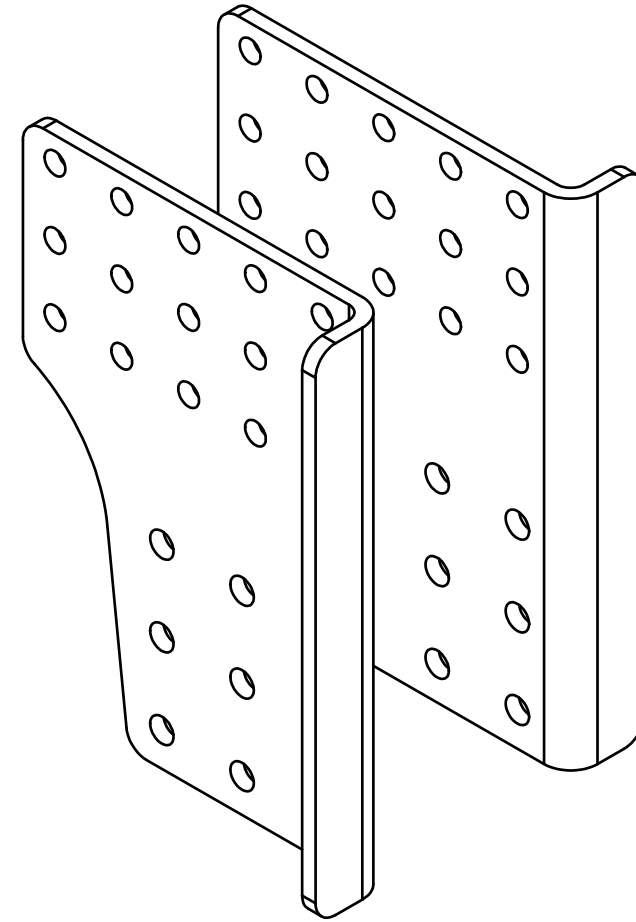
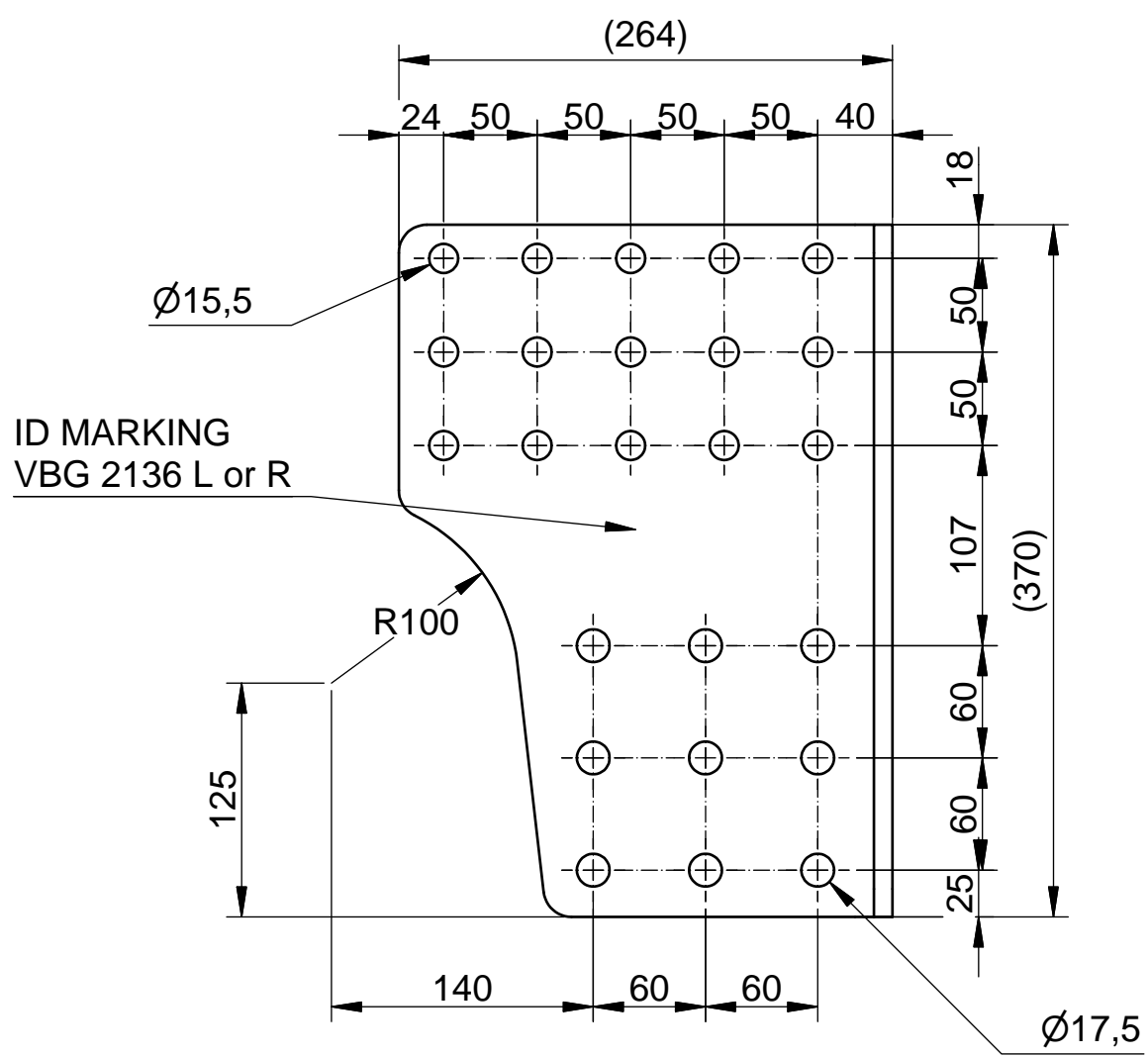
D

A

B

C

D



**2** MEASURE FOR INFORMATION ONLY

**1** FOR TYPE APPROVAL INFORMATION SEE DB75V-2

<b>VBG GROUP</b>	Modified Date	Modified by	Modification No.	Issue
	2012-11-14	RJ	11882	a
Description Set of EDH-3 Scania	3D Model No.	Engineer		Checked by
	21-213600	SJ		D
Stage	Sheet Size	Scale	Projection	Drafting Date
	P	A3	1:4	2012-10-23
Drawing No.	Drafted by			
	RJ			
<b>P 21-213600 (F) INFO</b>				
This drawing is the property of VBG Group AB and is protected in accordance with prevailing law. Changes must be made in CAD-program, this concerns both 2D & 3D.				

1 2 3 4 5 6