

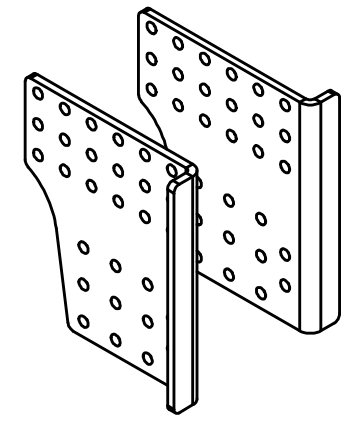
ID marking "EDH-4 21-6172"

R100

11xØ17

18xØ17

R8



VBG GROUP	Modified Date	2017-05-08	Modified by	SJ	Modification No.	12908	Issue	a	
	3D Model No.	21-622000			Engineer	SJ	Checked by		
	Description	Set of endplates EDH-4 MB							
	Sheet Size	A3	Scale	1:4	Projection		Drafting Date	2017-03-27	Drafted by
Stage	P 21-622000								
This drawing is the property of VBG Group AB and is protected in accordance with prevailing law. Changes must be made in CAD-program, this concerns both 2D & 3D.									