

CERT ID: VFUS 180

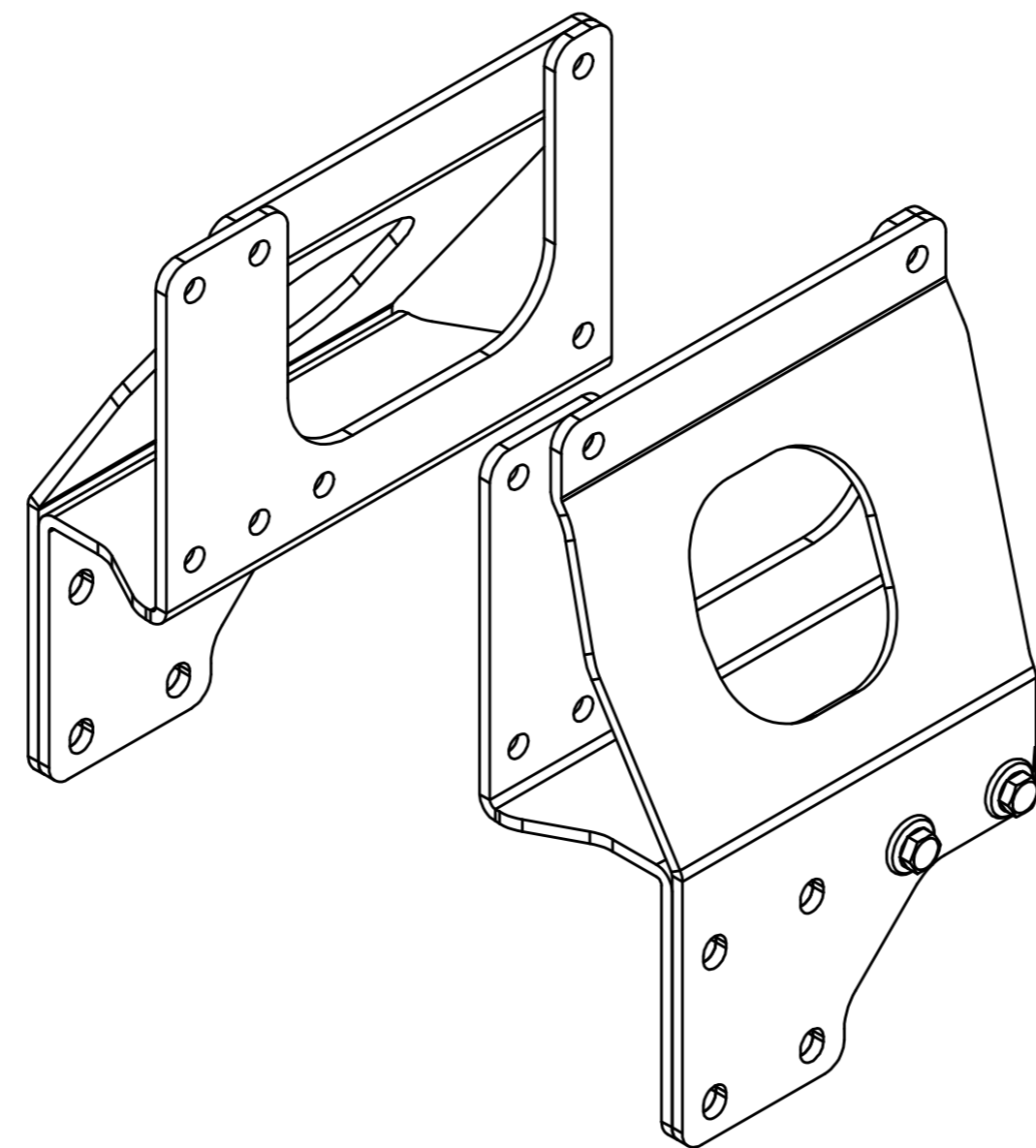
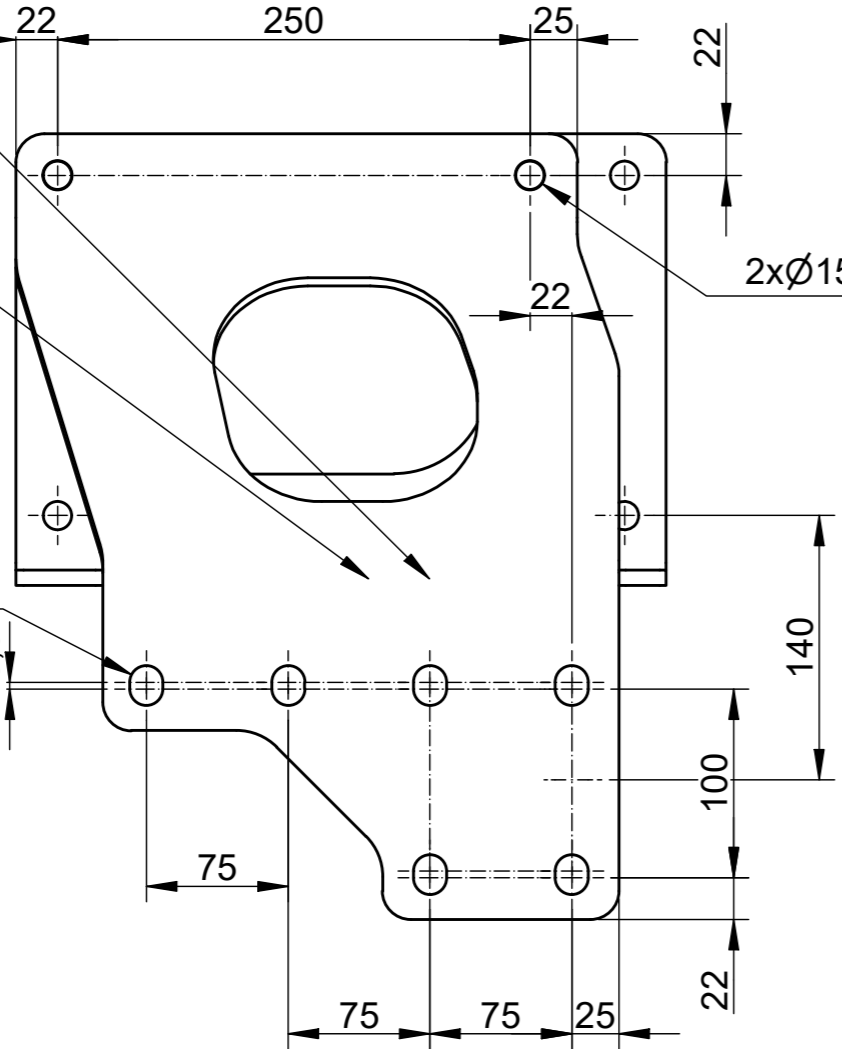
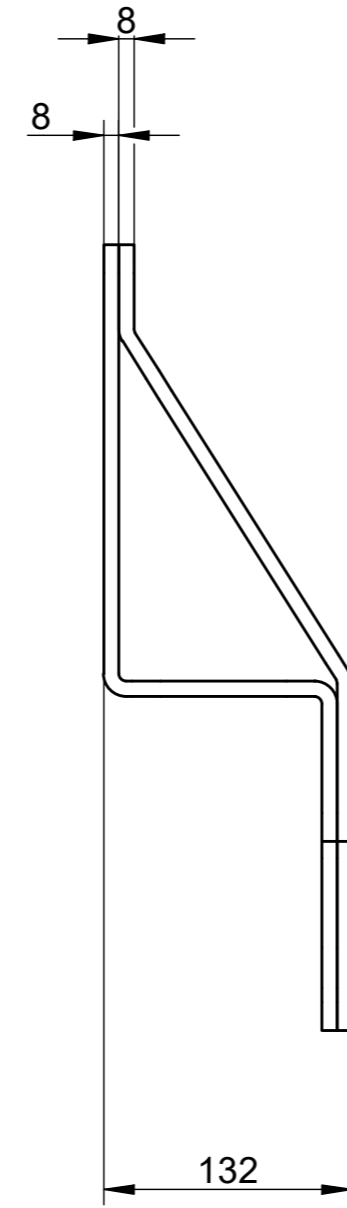
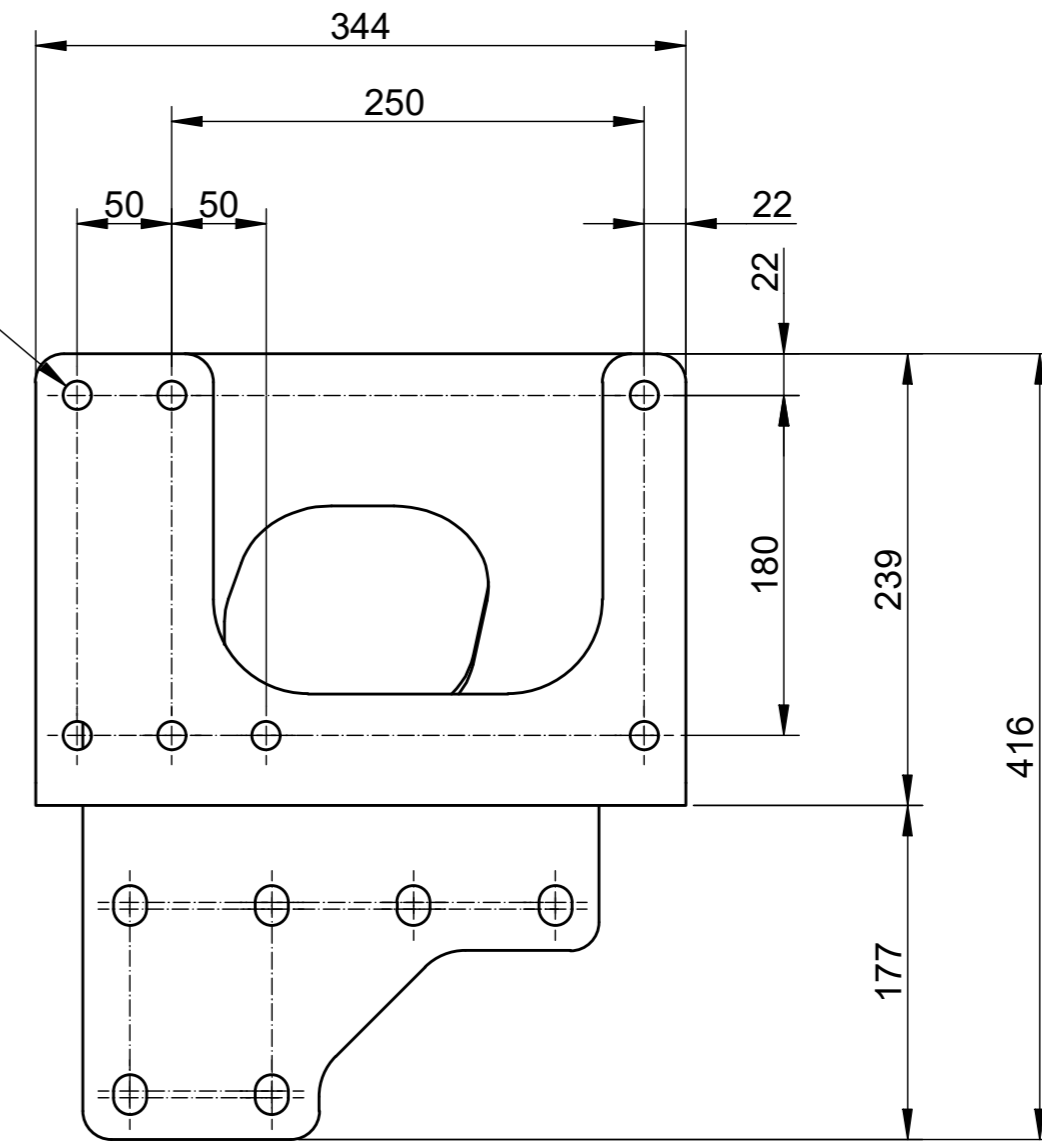
Permanent traceability marking

24x R8,75

12x3,5

2xØ15,5

7xØ15



4x Screw M16x50/38 DIN 6921 10.9
4x Nut M16 DIN 6927 10

- 6 Total weight: 27,0 kg
- 5 All products, product specifications & data are subject to change without notice.
- 4 Required frame stiffness for valid R58-03 certificate min 5700 cm4.
- 3 VBG Installation Report 38-321500
- 2 For type approval information, see protective beam.
- 1 Dimensions for information only.

VBG GROUP

Set of EUP180-MFC H140

Modified Date	2020-04-01	Modified by	PA	Modification No.	13387	Issue	a
3D Model No.	21-718100	Engineer	PA				
Sheet Size	A2	Scale	1 : 4	Projection		Drafting Date	2020-04-09
Stage	P	Drawing No.	21-718100(F)	INFO		Drafted by	PA

This drawing is the property of VBG Group AB and is protected in accordance with prevailing law. Changes must be made in CAD-program, this concerns both 2D & 3D.