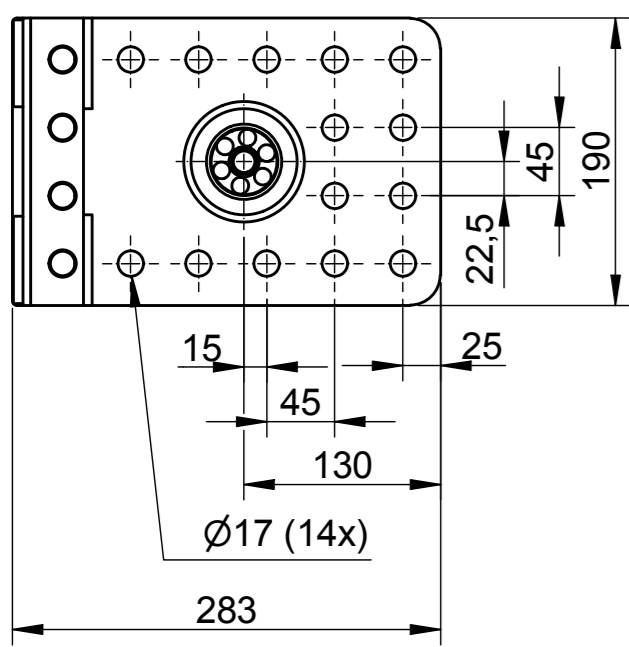
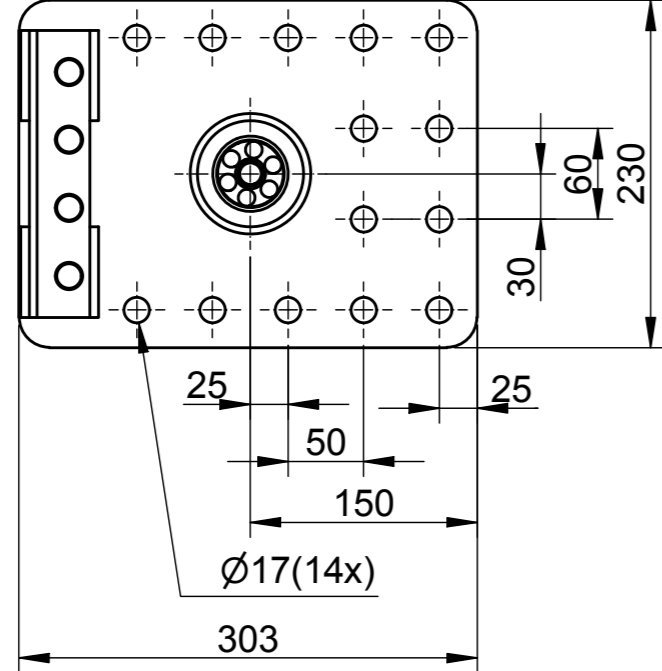


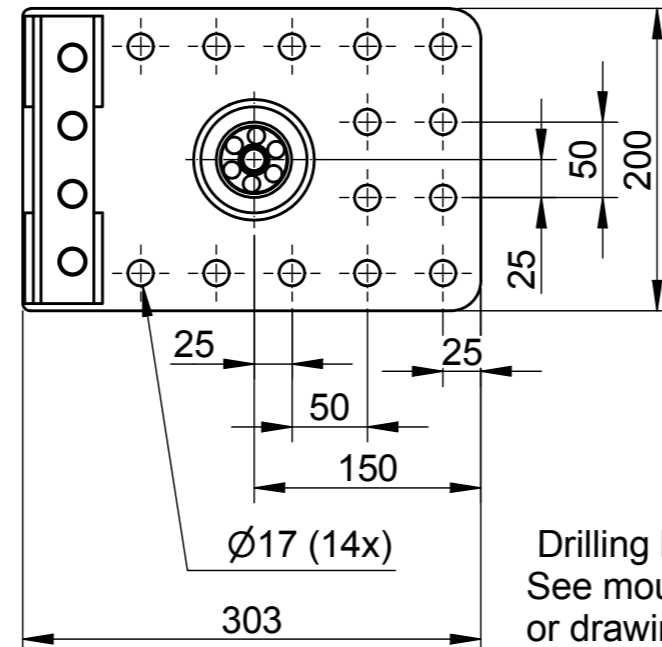
Mounting plate 45x45  
Part 21-582300



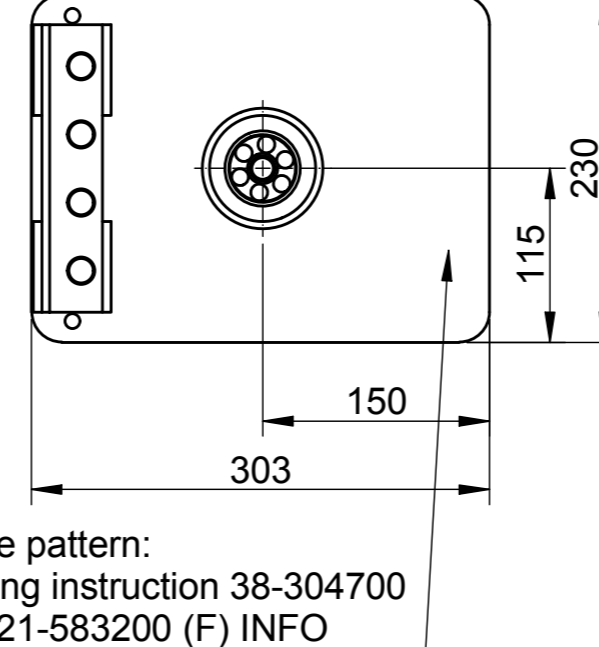
Mounting plate 50x60  
Part 21-582700



Mounting plate 50x50  
Part 21-582800

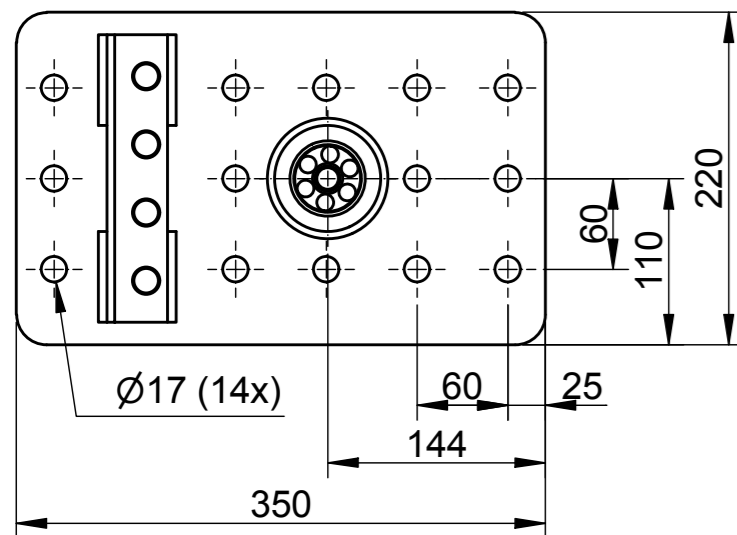


Mounting plate Blank  
Part 21-583200



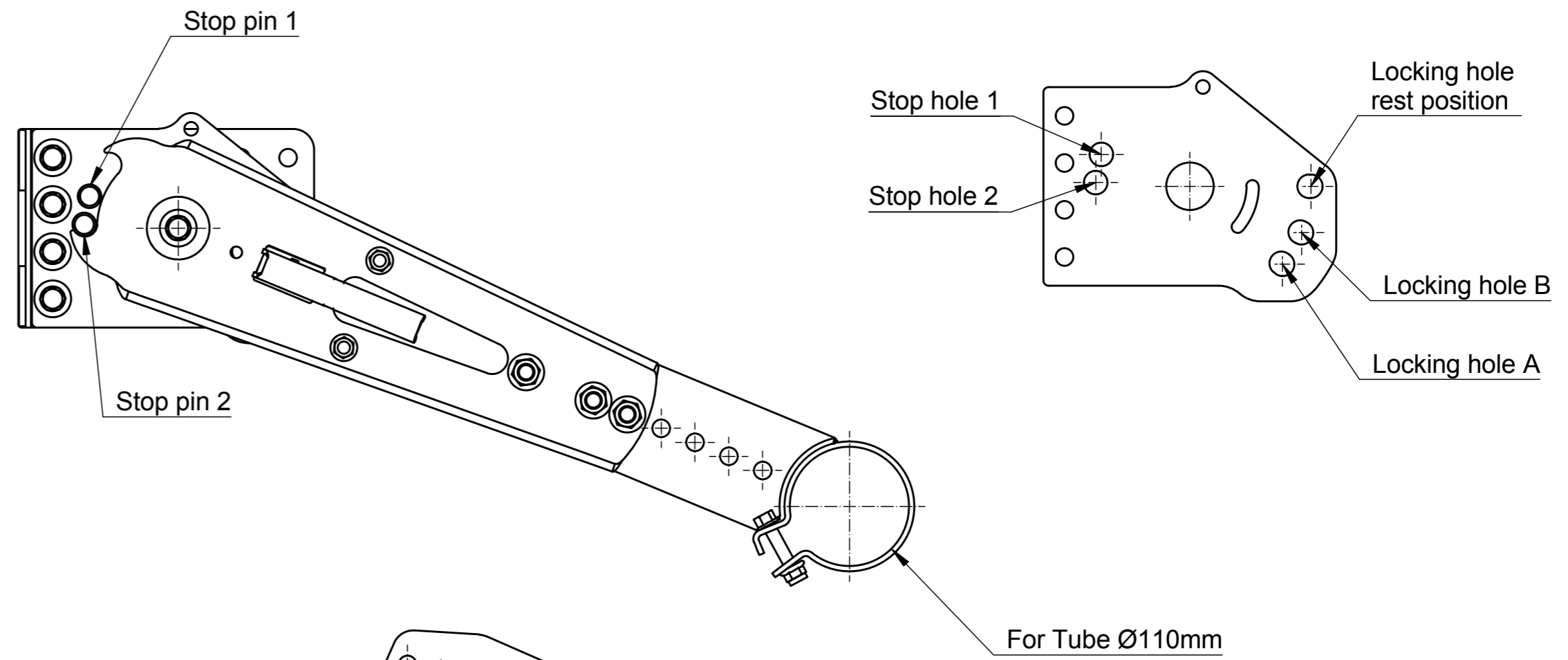
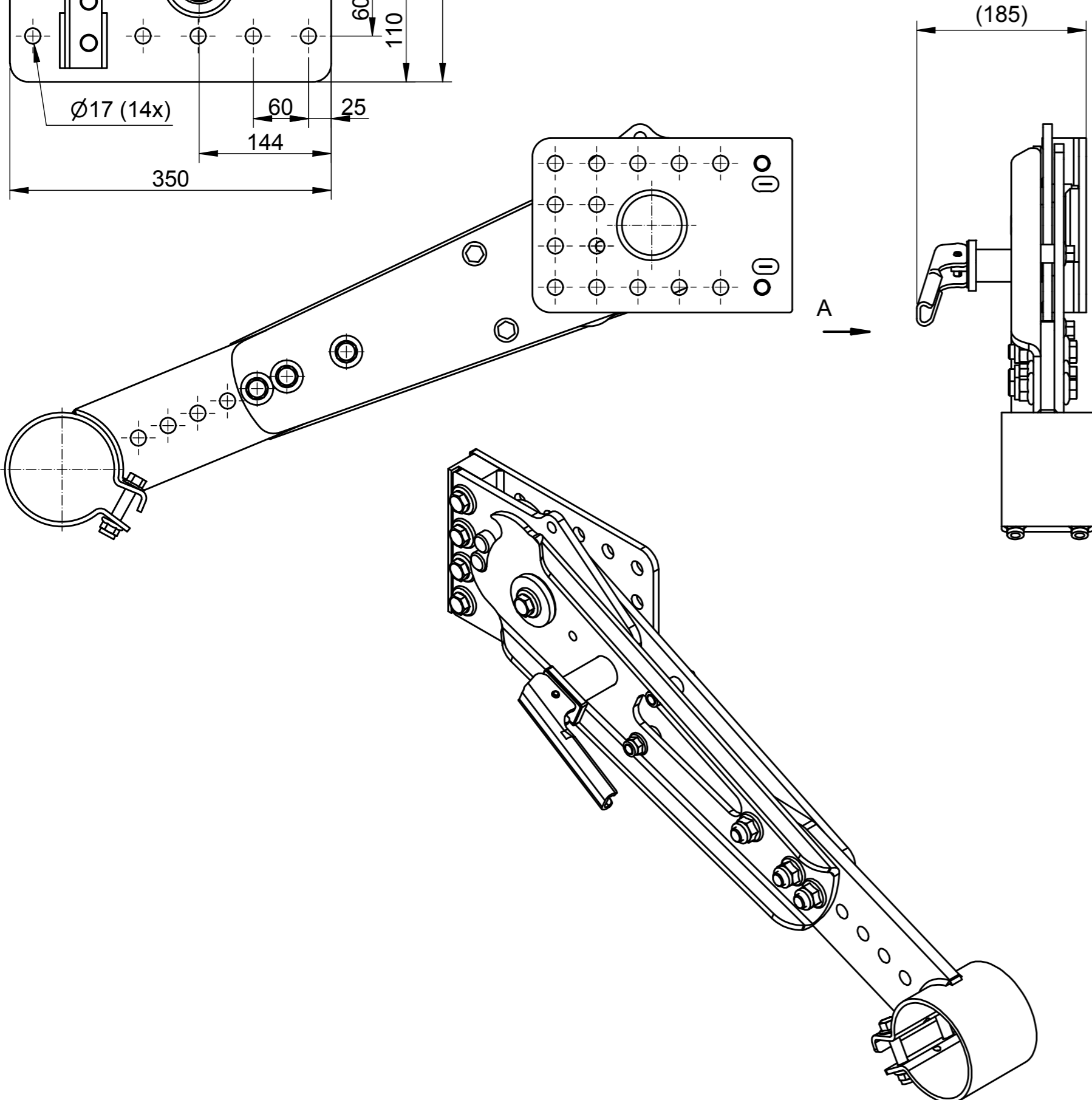
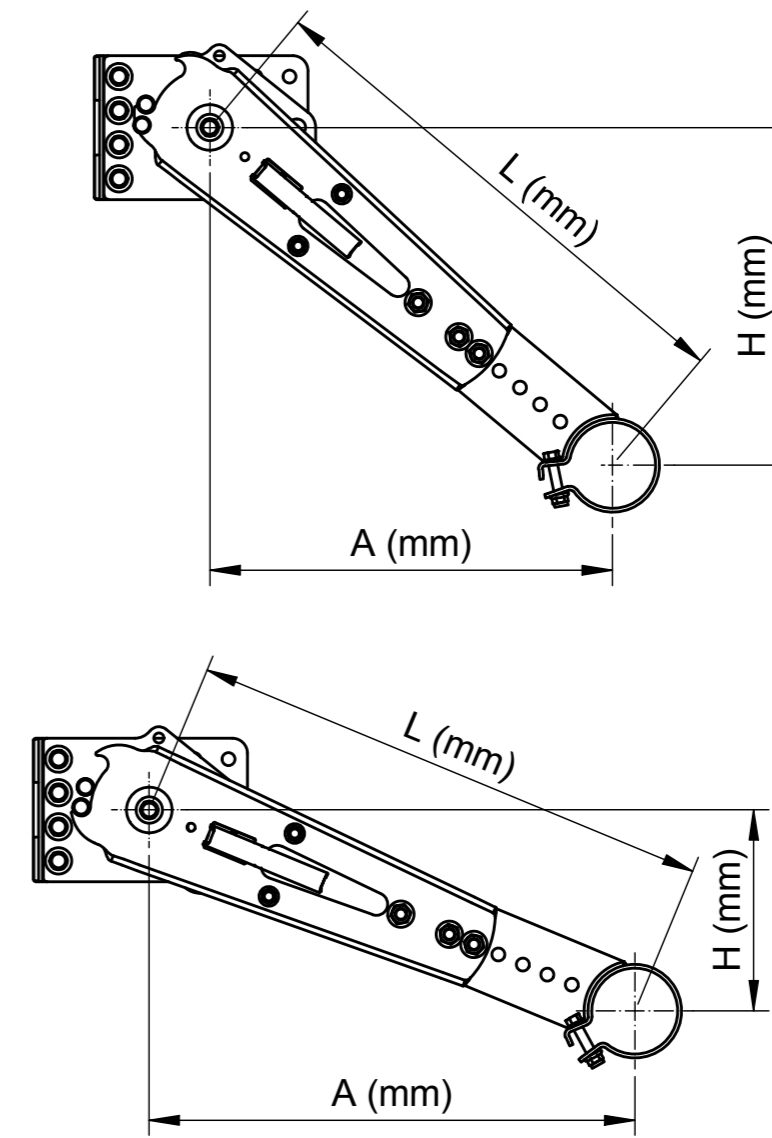
Drilling hole pattern:  
See mounting instruction 38-304700  
or drawing 21-583200 (F) INFO

Mounting plate 60x60  
Part 21-640400



Locking Hole A			
Extender hole	L mm	A mm	H mm
1	695	532	447
2	660	506	424
3	625	479	402
4	590	452	379
5	555	425	357

Locking Hole B			
Extender hole	L mm	A mm	H mm
1	695	642	266
2	660	610	253
3	625	577	239
4	590	545	226
5	555	513	212



Hole no 1

This part " Extender"  
can be mounted as show

1 Dimensions for information only- do not scale

2 All parts are symmetric and can  
be mounted as left and right version  
Left version showed

<b>VBG GROUP</b>	Modified Date	Modified by	Modification No.	Issue	
	2019-03-06	PR	13166	C	
	3D Model No.	Engineer			
	21-580800	RA			
Description	Sheet Size	Scale	Projection	Drafting Date	Drafted by
Underrun protection EUFA	A2	1 : 5	1st Angle	2015-04-23	RA
Stage		Drawing No.			
P		21-580800 (F) INFO			
<small>This drawing is the property of VBG Group AB and is protected in accordance with prevailing law. Changes must be made in CAD-program, this concerns both 2D &amp; 3D.</small>					