







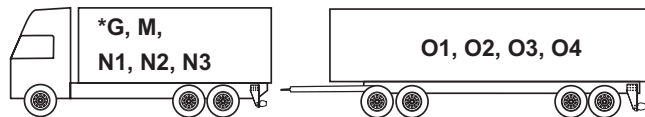


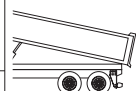
VBG INSTALLATION REPORT RUPD






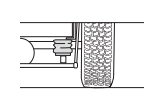
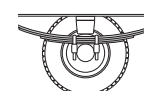
R58-03

2025-03-11
38-321500e

-  UBUS V2
E1 58R-03 0987
-  UBUS
E1 58R-03 0590
-  SBUS
E1 58R-03 0584
-  SBSA-100
E1 58R-03 0591
-  SBSA
E1 58R-03 0585
-  SBSS
E1 58R-03 0586



D = Max			
Class A	Class B	Class C	
300	275	249	 *G, N2 (>8T), N3 O3, O4
200	175	149	O3, O4
300	275	249	M, N1, N2 (<8T) O1, O2

C mm					
					
376	431	446	380	432	 *G, N2 (>8T), N3 O3, O4
426	481	496	430	482	 *G, N2 (>8T), N3 O3, O4
476	531	546	480	532	M, N1, N2 (<8T) O1, O2

*Category "G" has separate positioning rules.