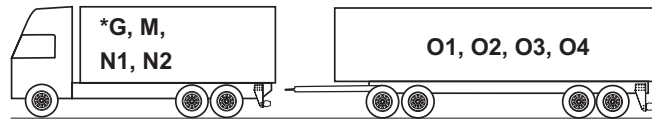



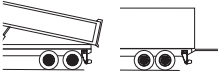


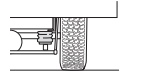
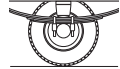
VBG INSTALLATION REPORT RUPD, 12 TONNE R58-03

2021-11-02
38-348200a



 SBSA-100
E1 58R-03 0591

D = Max	
300	 *G, N2 (>8T) O3, O4
200	O3, O4
400 - δ	M, N1, N2 (<8T) O1, O2

C mm	
450	 *G, N2 (>8T) O3, O4
500	 *G, N2 (>8T) O3, O4
550	M, N1, N2 (<8T) O1, O2

*Category "G" has separate positioning rules.