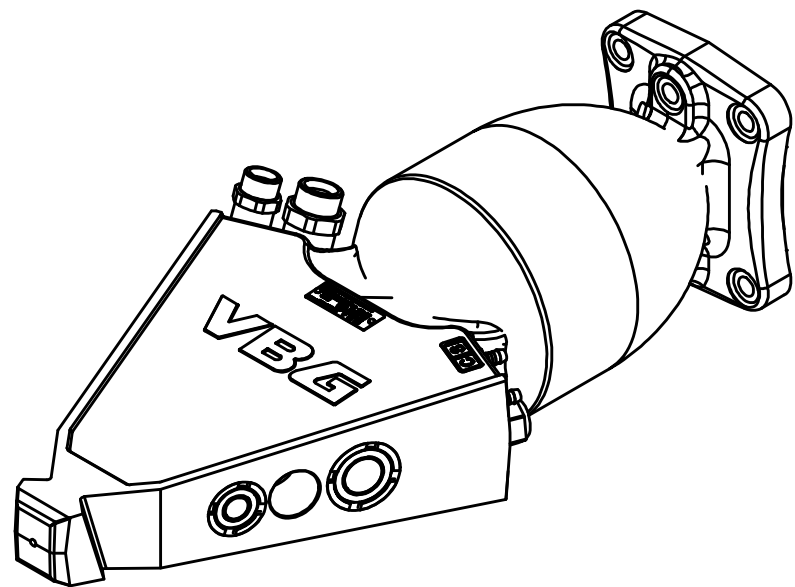
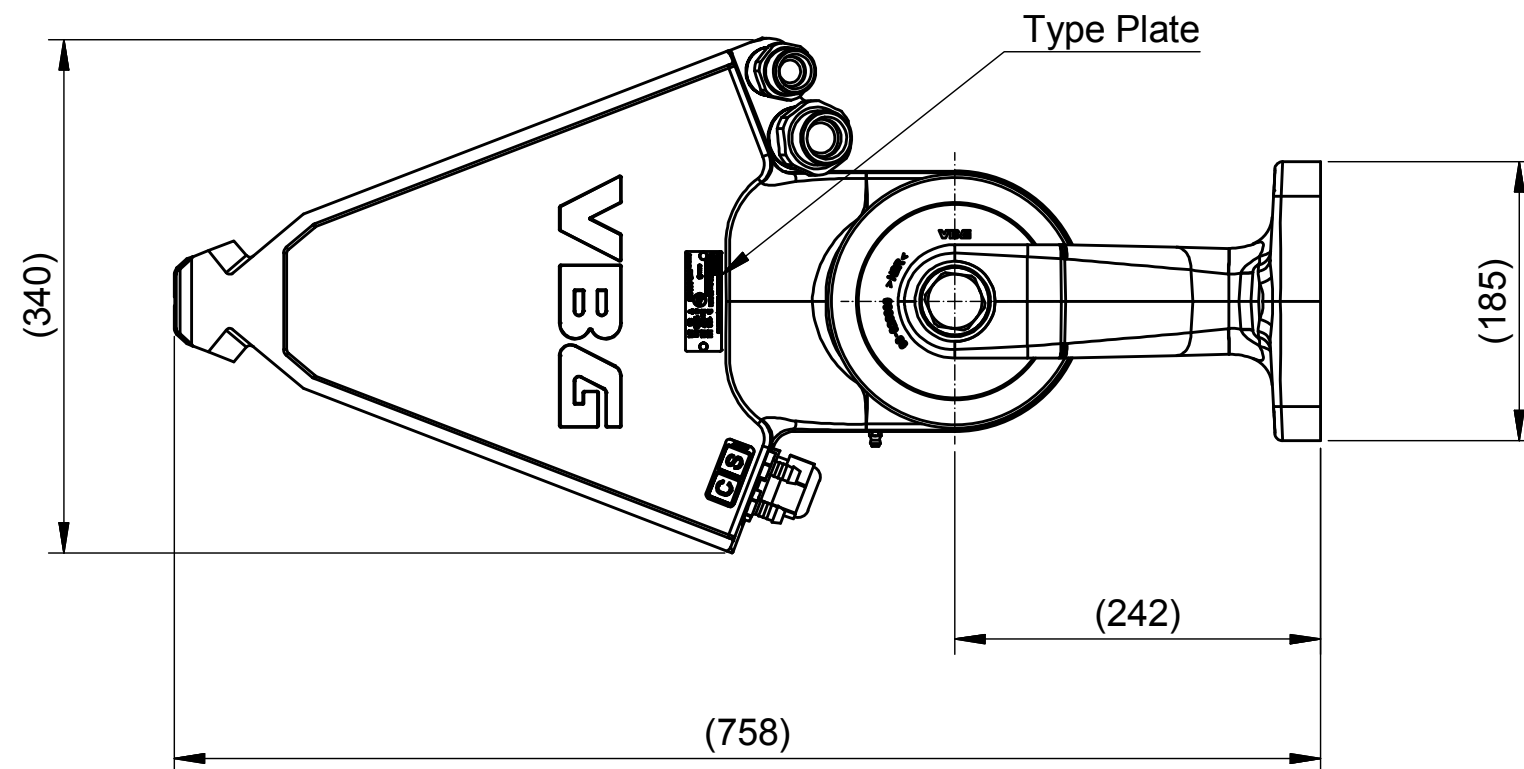
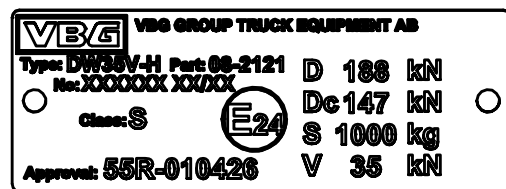


Type plate



Measures for information only. Tolerance ±10mm.



**VBG GROUP**

Description  
MFC DW35V hydraulic, complete

Modified Date	2015-05-28	Modified by	HB	Modification No.	12570	Issue	a		
3D Model No.	08-212100			Engineer	HB	Checked by			
Sheet Size	A3	Scale	1:5	Projection		Drafting Date	2015-05-28		
Stage	P	Drawing No.	08-212100 (F) INFO					Drafted by	HB
<small>This drawing is the property of VBG Group AB and is protected in accordance with prevailing law. Changes must be made in CAD-program, this concerns both 2D &amp; 3D.</small>									