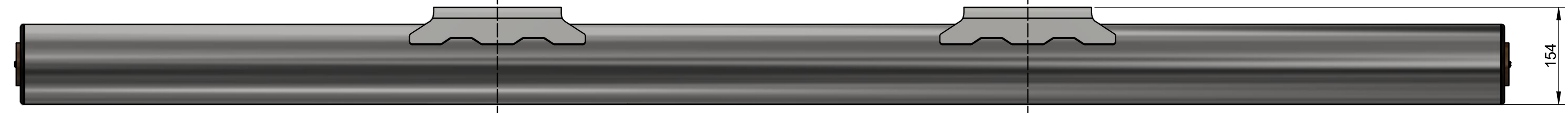
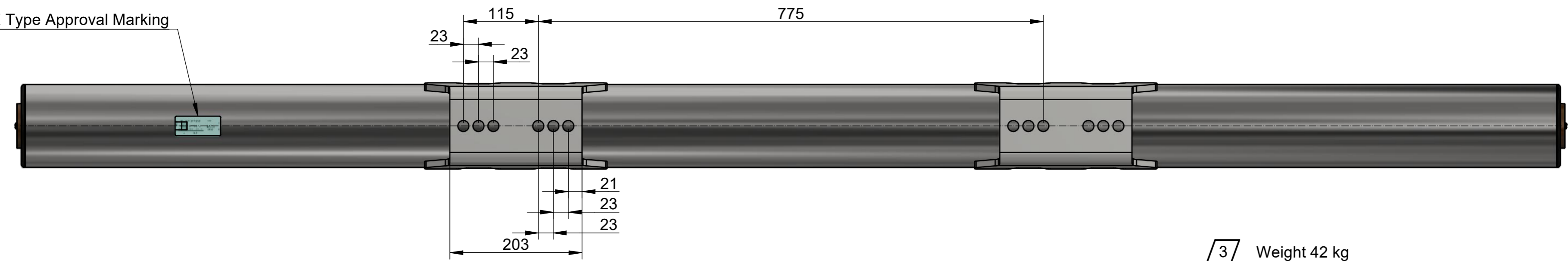


Truck Frame Width
Min 760 - Max 870



ECE Type Approval Marking

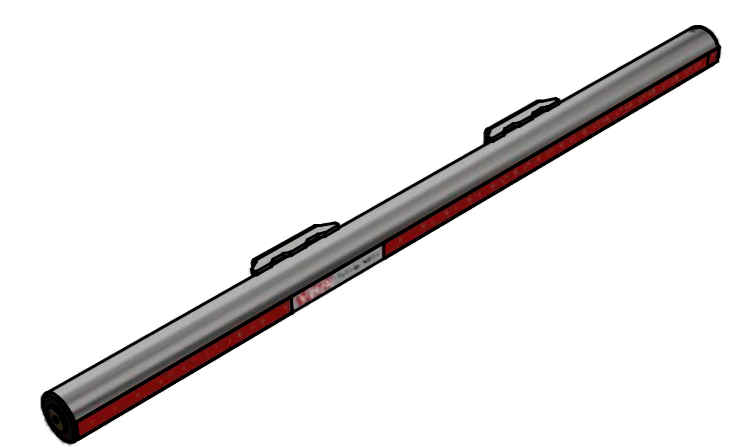


3 Weight 42 kg

2 Dimensions for information only. Do not scale.

1 Type Approval No
E1 R58-03 0586

Approval only applicable when mounted with VBG original mounting Brackets.



VBG GROUP	Modified Date	2020-11-03	Modified by	JE	Modification No.	13234	Issue	b	
	3D Model No.	21-701400							
	Sheet Size	A2	Scale	1 : 5	Projection		Drafting Date	2019-11-07	Drafted by
Description	USCP 180 fixed								
Stage	P 21-701400 (F) INFO								

This drawing is the property of VBG Group AB and is protected in accordance with prevailing law. Changes must be made in CAD-program, this concerns both 2D & 3D.